

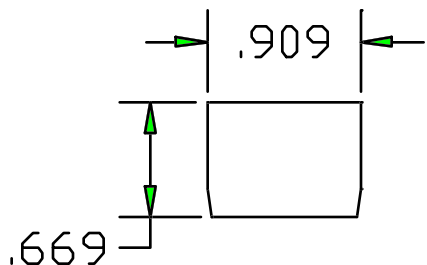
Central Brass

MANUFACTURING COMPANY

2950 East 55th St. Cleveland, Ohio 44127

Phone: (216) 883-0220 Fax: (216) 883-0875

www.CentralBrass.com



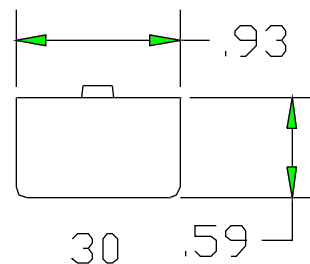
30-M
55/64-27 THREAD (FEMALE)
2.2 GPM AERATOR

30-M

Used on Spouts:

SU-157-DA,	SU-157-GA,	SU157-GLA,
SU-157-HA,	SU-157-JA,	SU-157-GSA,
SU-157-GRA,	SU-157-KSA,	SU-157-KRA,
SU-257-JSA,	SU-257-TSA,	SU-357-JSA,
SU-363-JA,	SU-363-LA,	SU-363-MA,
SU-363-RA,	SU-364-A,	SU-365-CA,
SU-1974-A,	SU-2923-A,	SU-2924-A

AERATOR REFERENCE DRAWINGS & GUIDE

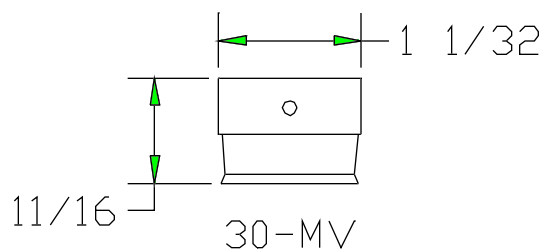


55/64-27 THREAD (FEMALE)
.5 GPM AERATOR

30

Used on Spouts:

SU-157-DA,	SU-157-GA,	SU157-GLA,
SU-157-HA,	SU-157-JA,	SU-157-GSA,
SU-157-GRA,	SU-157-KSA,	SU-157-KRA,
SU-257-JSA,	SU-257-TSA,	SU-357-JSA,
SU-363-JA,	SU-363-LA,	SU-363-MA,
SU-363-RA,	SU-364-A,	SU-365-CA,
SU-1974-A,	SU-2923-A,	SU-2924-A

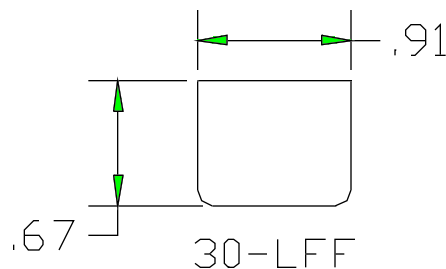


30-MV
55/64-27 THREAD (FEMALE)
2.5 GPM AERATOR

30-MV

Used on Spouts:

SU-157-DA,	SU-157-GA,	SU157-GLA,
SU-157-HA,	SU-157-JA,	SU-157-GSA,
SU-157-GRA,	SU-157-KSA,	SU-157-KRA,
SU-257-JSA,	SU-257-TSA,	SU-357-JSA,
SU-363-JA,	SU-363-LA,	SU-363-MA,
SU-363-RA,	SU-364-A,	SU-365-CA,
SU-1974-A,	SU-2923-A,	SU-2924-A



55/64-27 THREAD (FEMALE)
2.2 GPM AERATOR

30-LFF

Used in Items: 0300-KRS, 0300-KSS, 0301-GRS,
0301-GSS, 0310-KRS, 0310-KSS

Used on Spouts:

SU-157-DA,	SU-157-GA,	SU157-GLA,
SU-157-HA,	SU-157-JA,	SU-157-GSA,
SU-157-GRA,	SU-157-KSA,	SU-157-KRA,
SU-257-JSA,	SU-257-TSA,	SU-357-JSA,
SU-363-JA,	SU-363-LA,	SU-363-MA,
SU-363-RA,	SU-364-A,	SU-365-CA,
SU-1974-A,	SU-2923-A,	SU-2924-A

Central Brass

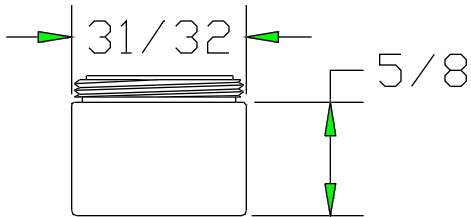
MANUFACTURING COMPANY

2950 East 55th St. Cleveland, Ohio 44127

Phone: (216) 883-0220 Fax: (216) 883-0875

www.CentralBrass.com

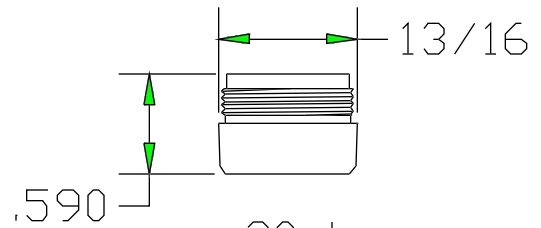
AERATOR REFERENCE DRAWINGS & GUIDE



G-30-PV
15/16-27 THREAD (MALE)
.5 GPM AERATOR

G-30-PV

Used in Items: 0303-AV-E02



30-L
13/16-27 THREAD (MALE)
2.2 GPM AERATOR

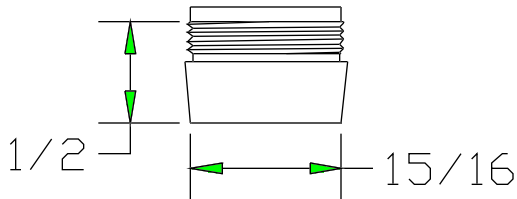
30-L

Used in Items:

0239-A, 0255-A, 0355-A, 0356-A,
1133-A, 1137-A, 1138-A, 1139-A, 1147-A,
1167-A, 1172-A8, 1177-A, 1178-A

Used on Spouts:

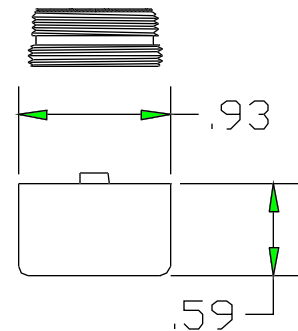
SU-511-A, SU-357-HSA, SU-357-WSA,
SU-2090-A, SU-2136-FA



30-P
15/16-27 THREAD (MALE)
2.2 GPM AERATOR

30-P

Used on Spouts: SU-2091-A



G-30-A
55/64-27 THREAD (FEMALE)
.5 GPM AERATOR WITH MALE
ADAPTER (166-UB) TO CONVERT
TO 13/16-27 THREAD (MALE)

G-30-A

Used in Items:

0239-A, 0255-A, 0355-A, 0356-A,
1133-A, 1137-A, 1138-A, 1139-A, 1147-A,
1167-A, 1177-A, 1178-A

Used on Spouts:

SU-511-A, SU-357-HSA, SU-357-WSA,
SU-2090-A, SU-2136-FA

Central Brass

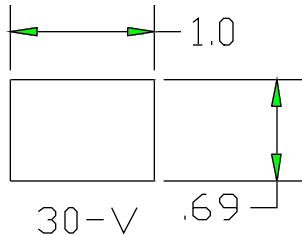
MANUFACTURING COMPANY

2950 East 55th St. Cleveland, Ohio 44127

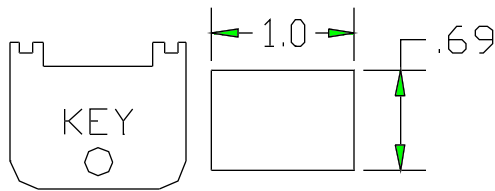
Phone: (216) 883-0220 Fax: (216) 883-0875

www.CentralBrass.com

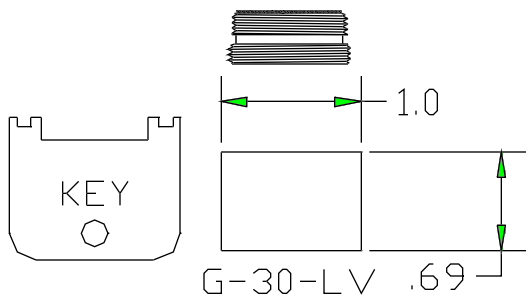
AERATOR REFERENCE DRAWINGS & GUIDE



30-V
55/64-27 THREAD (FEMALE)
.5 GPM AERATOR



G-30-V
55/64-27 THREAD (FEMALE)
.5 GPM AERATOR
WITH KEY



G-30-LV
55/64-27 THREAD (FEMALE)
.5 GPM AERATOR WITH MALE
ADAPTER (166-UB) TO CONVERT TO
13/16-27 THREAD (MALE), AND KEY

30-V & G-30-V

Used in Items: 0300-KRAV, 0300-KSAV,
0310-KRAV, 0310-KRAV

Used on Spouts:

SU-157-DA,	SU-157-GA,	SU157-GLA,
SU-157-HA,	SU-157-JA,	SU-157-GSA,
SU-157-GRA,	SU-157-KSA,	SU-157-KRA,
SU-257-JSA,	SU-257-TSA,	SU-357-JSA,
SU-363-JA,	SU-363-LA,	SU-363-MA,
SU-363-RA,	SU-364-A,	SU-365-CA,
SU-1974-A,	SU-2923-A,	SU-2924-A

G-30-LV

Used in Items: 0355-AV, 0356-AV, 3127-AV,
3137-AV, 2091-AV-E02, 2091-AV-B

Used on Spouts:

SU-511-A,	SU-357-HSA,	SU-357-WSA,
SU-2090-A,	SU-2136-FA	

Central Brass

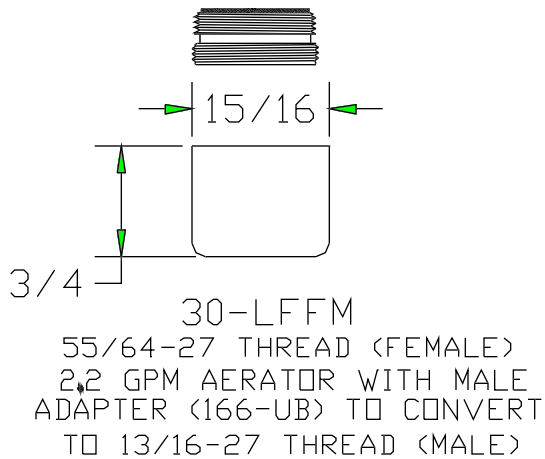
MANUFACTURING COMPANY

2950 East 55th St. Cleveland, Ohio 44127

Phone: (216) 883-0220 Fax: (216) 883-0875

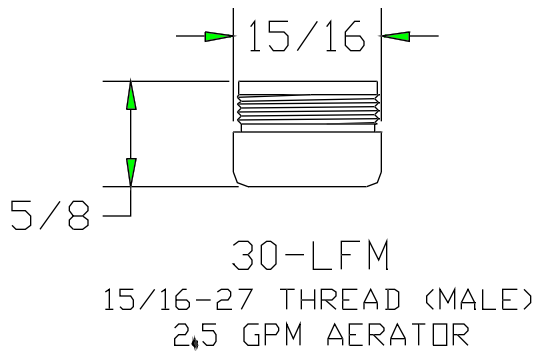
www.CentralBrass.com

AERATOR REFERENCE DRAWINGS & GUIDE



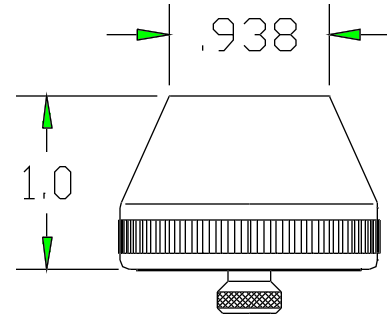
30-LFFM

Used in Items: 2091-AV-E02, 2091-AV-B



30-LFM

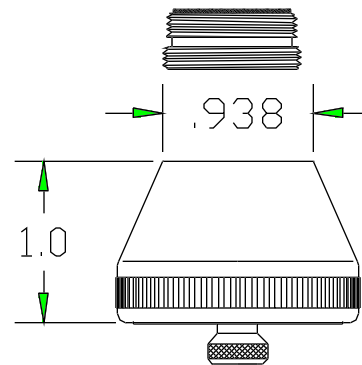
Used in Items: 0303-AV-E02



30-RS

Used in Items: 0320-KRS, 0320-KSS, 0321-GRS,
0321-GSS, 0322-KRS, 0322-KSSS

Used on Spouts: SU-157-GSA, SU-157-GRA,
SU-157-KSA, SU-157-KRA,



30-RSM

13/16-27 THREAD (FEMALE)
WITH MALE ADAPTER (166-UB)
TO CONVERT TO 13/16-27
THREAD (MALE)

ROSE SPRAY

30-RSM

Used in Items: 2091-AV-E02, 2091-AV-B