

# Central Brass

C O M P A N Y

A Division of Pioneer Industries, Inc.

## Installation Guide

### Slow-Close Single Handle Basin Faucet:

- 0355-AN2C
- 0355-AN2H
- 0355-AN2P
- 0355-AVN2C
- 0355-AVN2H
- 0355-AVN2P
- 0356-AN2C
- 0356-AN2H
- 0356-AN2P
- 0356-AVN2C
- 0356-AVN2H
- 0356-AVN2P



This product meets the following standards:

- ASME A112.18.1
- ANSI A117.1
- ANSI / NSF 61, SECTION 9
- CUPC / IAPMO LISTED / ADA COMPLIANT
- CONTAINS NO MORE THAN 0.25% WEIGHTED AVERAGE LEAD CONTENT



## Thank You For Choosing Central Brass Products

Thank you for purchasing this quality product.

Central Brass products are rigorously tested to provide long service under normal conditions. Prior to installation, familiarize yourself with this parts diagram.

Make sure that you have all of the illustrated parts for your Central Brass product before installation.

## Care Instructions

Central Brass products are designed and engineered under strict quality standards. The Central Brass Collection of PVD finishes feature a strong and durable surface that will keep your fixture looking exquisite for a lifetime.

To ensure the beautiful appearance of your Central Brass product, please adhere to the following simple care instructions:

- Use clear water to clean the surface of the faucet and dry with a 100% cotton cloth.
- You may also use any non-abrasive wax, along with a soft cotton cloth to brighten the surface and provide future protection of the finish.
- Do not use detergents, harsh cleaners, abrasive cleaners, cloths, and cleaning agents.

## CENTRAL BRASS LIMITED WARRANTY

The Central Brass Company provides to the original consumer the following warranties for Genuine Central Brass manufactured products and components used in commercial or residential applications.

Central Brass Company will replace, free of charge, to the original consumer purchaser, any and all parts that prove defective under normal installation, use, and service. This warranty does not cover damage or defects due to normal wear and tear, misuse, abuse, accident, or improper installation. Replacement parts can be obtained from your local dealer or directly from Central Brass Company. Central Brass Company recommends using a certified plumber for all faucet installation and repair. Dated proof of purchase must accompany all warranty claims.

### **FAUCET WARRANTY**

The Faucet, defined as any metal cast, forged, stamped or formed portion of the product, not including moving parts or other components covered under other Central Brass warranties, is warranted against manufacturing defects for the life of the product.

### **CARTRIDGE WARRANTY**

Genuine Central Brass cartridges incorporated in Central Brass products are warranted against manufacturing defects for a period of five (5) years from the date of purchase.

### **SENSOR FAUCETS**

The mechanics of the Central Brass Sensor Faucets are warranted for five (5) years from the date of installation. The electronics and solenoid are warranted for a period of one (1) year from the date of installation.

### **FINISH WARRANTY - COMMERCIAL**

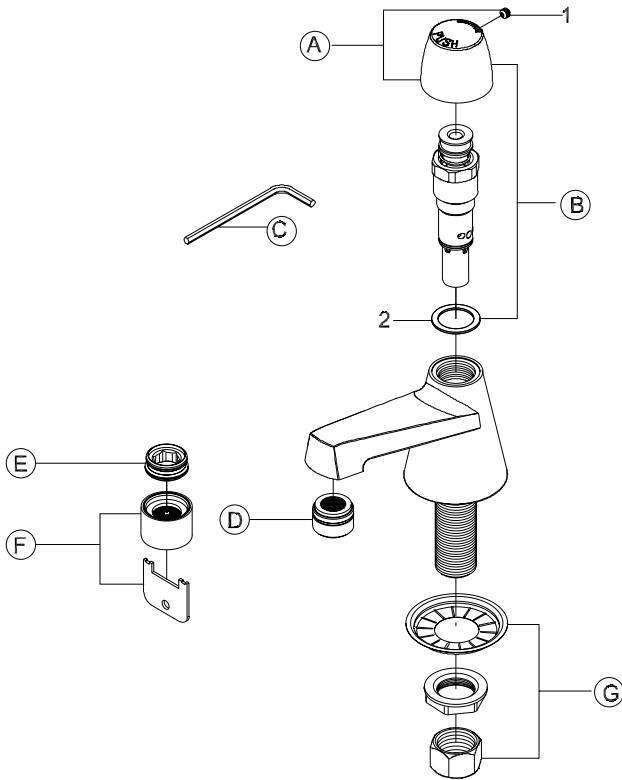
PVD finishes installed in public or commercial areas are warranted not to corrode, tarnish or discolor for a period of five (5) years from date of purchase.

### **FINISH WARRANTY – RESIDENTIAL**

PVD finishes installed in residential use applications are warranted not to corrode, tarnish or discolor for the life of the product.

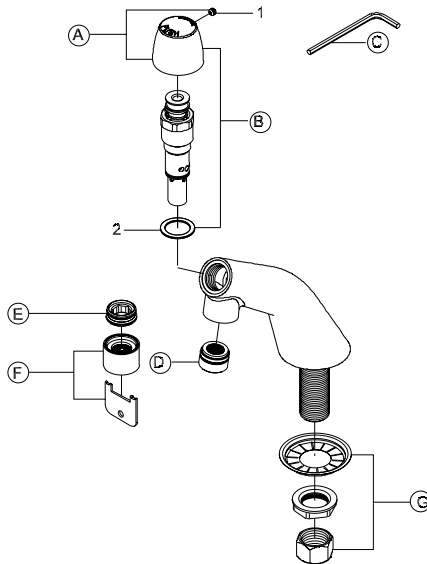
## 0355-AN2/0355-AVN2-Replacement Parts

	ITEM#	DESCRIPTION
A	CS-13003C,H,P	Cold/Hot/Plain Push Handle
B	CS-49016C,H,P	Cold/Hot/Plain Repair Kit
C	170-WA	3/32" Allen Wrench
D	30-L	Aerator
E	166-UB	Adapter (For 'V' Suffix)
F	CS-49004	Vandal 0.5 GPM Aerator (For 'V' Suffix)
G	G-95-A	Mounting Kit
1	X103-HS	Set Screw (6 Pcs Per Pack)
2	X1028-Y	Washer (2 Pcs Per Pack)



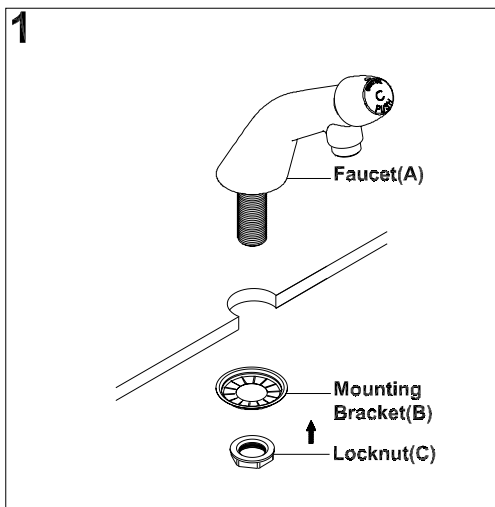
## 0356-AN2/0356-AVN2-Replacement Parts

	ITEM#	DESCRIPTION
A	CS-13003C,H,P	Cold/Hot/Plain Push Handle
B	CS-49016C,H,P	Cold/Hot/Plain Repair Kit
C	170-WA	3/32" Allen Wrench
D	30-L	Aerator
E	166-UB	Adapter (For 'V' Suffix)
F	CS-49004	Vandal 0.5 GPM Aerator (For 'V' Suffix)
G	G-95-A	Mounting Kit
1	X103-HS	Set Screw (6 Pcs Per Pack)
2	X1028-Y	Washer (2 Pcs Per Pack)



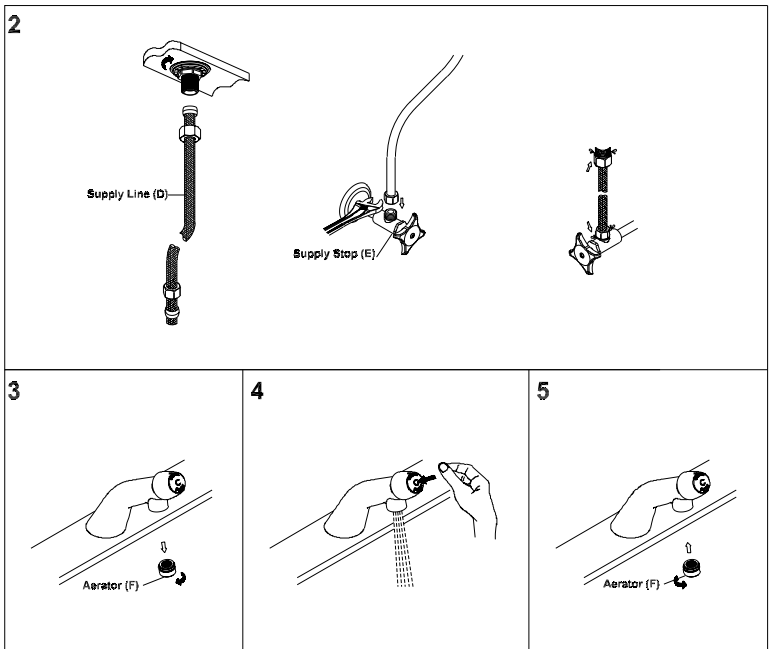
## Faucet Installation

1. Apply the plumbers putty underneath of the faucet (A). Place the faucet (A) through mounting hole. Slide the mounting bracket (B) from underneath of the mounting surface through the faucet shank. Tighten the locknut (C) from underneath. Remove excess plumbers putty from the mounting surface.



## Faucet Installation

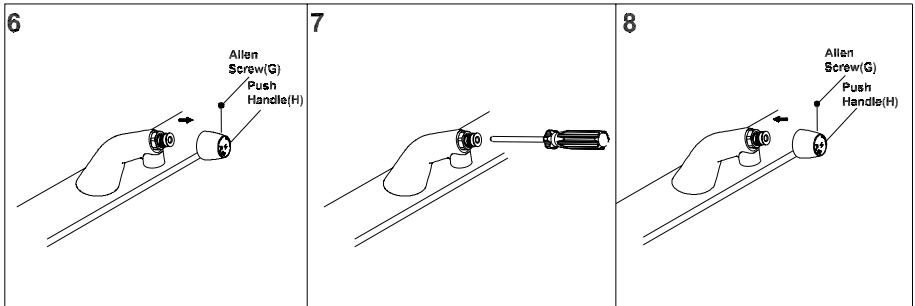
2. Connect the faucet shank to inlet supply line (D). Connect the supply stop (E) to the inlet supply line (D). Make sure inlet supply line (D) is securely tighten. Do not over-tighten. Turn on supply stop.
3. Remove aerator (F).
4. Push the handle. Flush and allow water to run at full flow.
5. Check for any leaks. Make sure all the connections are secure. Replace aerator (F).



## Faucet Installation

### Adjusting the Slow Close Timing:-

6. The slow close cartridge is factory preset at 10 seconds @ 60 PSI. Depending on the inlet water pressure and water temperature this timing can vary. If timing need to be changed, remove the handle(H) by loosening allen screw (G).
7. With the help of flat head screwdriver, loosen the screw to decrease the timing and tighten the screw to increase the timing. The timing can be adjusted from 0 to 60 seconds depending on the inlet pressure and water temperature.
8. Once the satisfactory timing has been adjusted, install the handle(H) by tightening allen screw (G).



For more care information or trouble shooting inquiries about your Central Brass product, please see the contact information on the back page.

# Central Brass

C O M P A N Y

A Division of Pioneer Industries, Inc.

6892 Snowville Road | Brecksville, Ohio 44141

Telephone: (800) 321-8630 | (216) 883-0220 | Fax: (800) 338-9414

Hours: M - F, 7:30am to 5:00pm EST

[www.centralbrass.com](http://www.centralbrass.com)