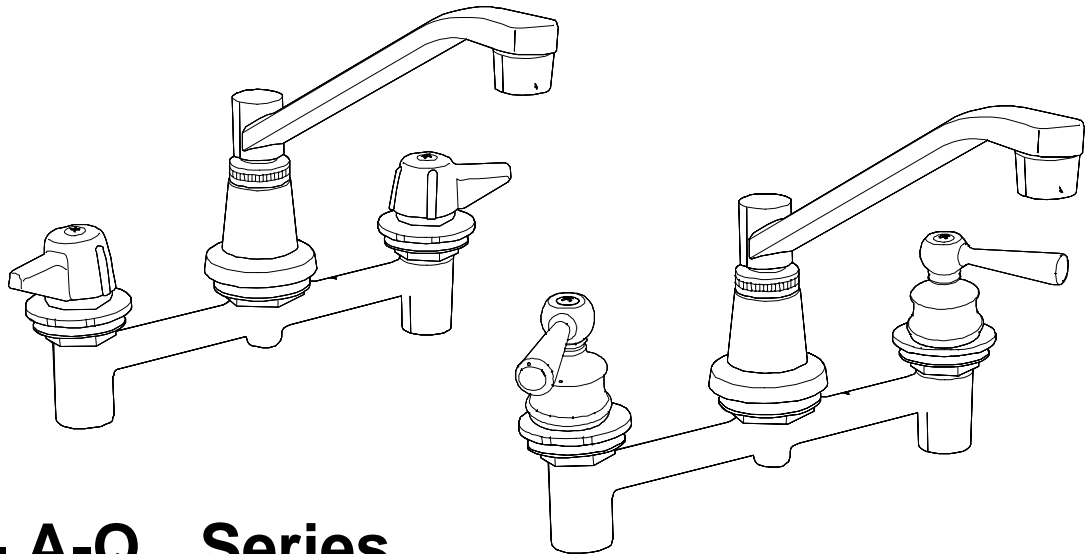


Central Brass®

The Easy Choice

CONCEALED LEDGEMOUNT KITCHEN SINK FAUCET

8-Inch Centers
Quarter-Turn Compression Stem Units



0072 - A-Q Series
100072-A-Q Series
200072-A-Q Series



Faucets with lever, wrist or elbow handles and compression or ceramic stem cartridges are ADA compliant.



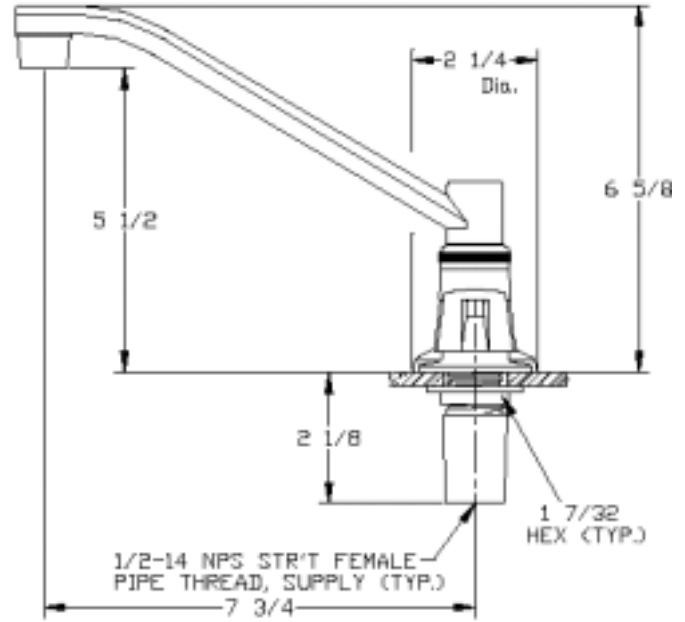
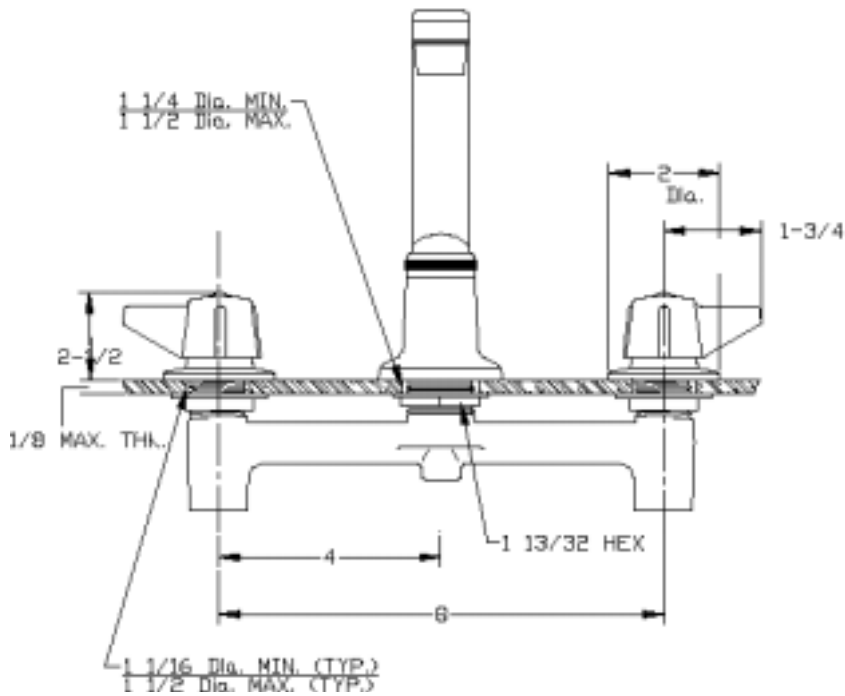
Certified to
ANSI/NSF 61 Section9

CENTRAL BRASS MFG CO

2950 East 55th Street, Cleveland, Ohio 44127

Phone: 216-883-0220 Fax: 216-883-0875 Email: sales @CentralBrass.com

CENTRAL BRASS INSTALLATION INSTRUCTIONS



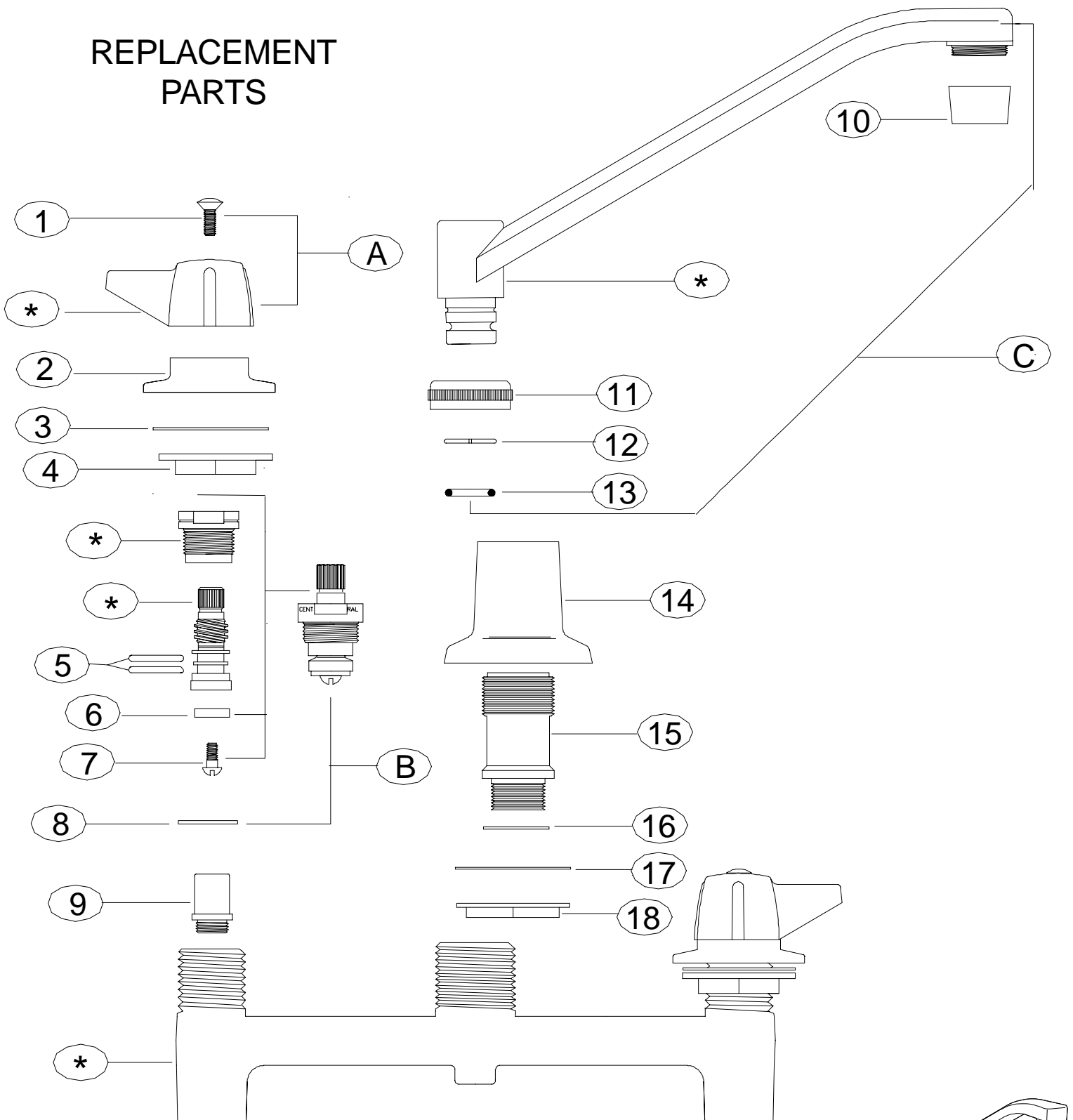
1. Place two locknuts onto faucet body one on hot and one on cold side. Screw locknut down to lower portion of threads, do not tighten. Place gasket on each locknut.
2. Place large locknut on center spout portion of faucet body and screw down onto base. Place gasket over center locknut.
3. Insert faucet body in sink from underside.
4. Apply a thin coat of plumbers putty to the bottom edge of the center escutcheon and tighten down until snug with sink.
5. Assemble spout to faucet body. Tighten spout nut carefully.
6. Loosen center escutcheon until clearance between escutcheon and spout nut is minimum. Tighten center locknut on underside of sink.
7. Apply a thin coat of plumbers putty to the bottom edge of the corner escutcheons and tighten down until snug. Tighten locknuts under sink.
9. Connect supply lines to bottom inlets of valve body. Hot to left side.
10. Turn on supply lines. Check all connections for leakage.
11. Remove spout by loosening spout nut, replace spout and remove aerator. Turn on hot and cold water for one minute to flush out dirt and sediment that might have accumulated during installation.
12. Reconnect spout and replace aerator.
13. Check all connections for leakage.

CENTRAL BRASS MFG CO

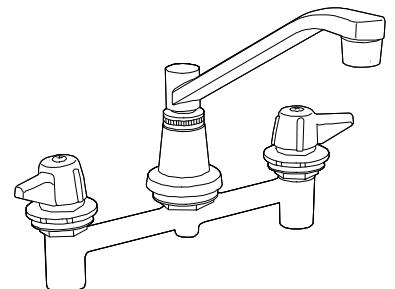
2950 East 55th Street, Cleveland, Ohio 44127

Phone: 216-883-0220 Fax: 216-883-0875 Email: sales @CentralBrass.com

REPLACEMENT PARTS



* These items are not offered individually and must be purchased as a group or unit. Please contact Central Brass for more information.



CENTRAL BRASS MFG CO

2950 East 55th Street, Cleveland, Ohio 44127

Phone: 216-883-0220

Fax: 216-883-0875

Email: sales @CentralBrass.com

REPLACEMENT PARTS

#	Part Number	Description
A	G-523-C	Lever Handle C Indexed with Screw (X107-F)
A	G-523-H	Lever Handle H Indexed with Screw (X107-F)
B	G-454-EL	Cold Quick-Pression Quarter-Turn O-Ring Stem Assembly with Gasket (X1028-Y)
B	G-454-ER	Hot Quick-Pression Quarter-Turn O-Ring Stem Assembly with Gasket (X1028-Y)
C	SU-365-CA	8-Inch Swivel D-Spout with Aerator (30-M)
1	X107-F	Handle Screw (25 pcs per pack)
2	524-B	Escutcheon
3	X491-U	Gasket (12 pcs per pack)
4	X53-AS	Locknut (6 pcs per pack)
5	X1038-453	O-Rings (25 pcs per pack)
6	X901-WNN	Stem Seat Washer (25 pcs per pack)
7	X104	Seat Washer Screw (25 pcs per pack)
8	X1028-Y	Gasket (25 pcs per pack)
9	XPF-263-C	Replacement Seat (2 pcs per pack)
10	30-M	Aerator
11	XPF-782-D	Spout Nut (2 pcs per pack)
12	X166-FN	Snap Rings (6 pcs per pack)
13	X1038-KN	Spout O-Ring (25 pcs per pack)
14	1012-N	Spout Escutcheon
15	2985-J	Centerpiece
16	X402-J	Gasket (12 pcs per pack)
17	X491-S	Gasket (12 pcs per pack)
18	X53-BS	Locknut (6 pcs per pack)

OPTIONS & REPLACEMENT PARTS for options

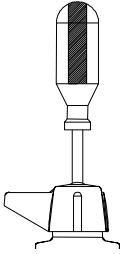
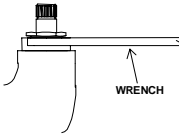
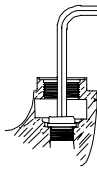
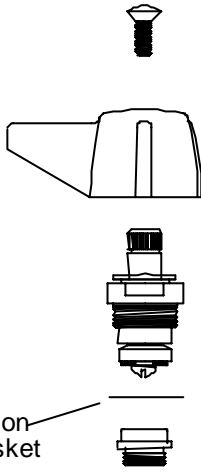
Suffix Number	Replaces Item #	Part Number	Description
07	C	SU-357-WSA	8 ¾ -Inch High-Rise Swivel Spout with Aerator (30-L)
7	C	SU-1974-A	10-Inch Cast Spout with Aerator (30-M)
8	C	SU-357-HSA	7 ¼ -Inch High-Rise Swivel Spout with Aerator (30-L)
TSA	C	SU-257-TSA	Tri-Arc Swivel Gooseneck Spout with Aerator (30-M)
GRA	C	SU-157-GRA	4 ⅜ -Inch Rigid Gooseneck Spout with Aerator (30-M)
GSA	C	SU-157-GSA	4 ⅜ -Inch Swivel Gooseneck Spout with Aerator (30-M)
KRA	C	SU-157-KRA	5 ½ -Inch Rigid Gooseneck Spout with Aerator (30-M)
KSA	C	SU-157-KSA	5 ½ -Inch Swivel Gooseneck Spout with Aerator (30-M)
		PF-741-DO	Double O-Ring Adapter for the SU-157-KSA Spout
		XPF-166-U	Brass Adapter for the SU-157-KSA and SU-157-KRA Spouts
EL	A	G-4149-C or H	6-Inch Brass Wrist Handles – Index Blue (X107-FB) or Index Red (X107-FR)
ELS	A	G-4147-C or H	4-Inch Brass Wrist Handles – Index Blue (X107-FB) or Index Red (X107-FR)
X	A	G-1143-C or H	Brass Canopy Handles – Index Blue (X107-FB) or Index Red (X107-FR)
		X107-FB or FR	Blue Index or Red Index (5 pcs per pack) Used for EL, ELS and X suffix's
Prefix Number	Replaces Item #	Part Number	Description
10	A	K-512-02	Handle Kit for Villager Collection with Chrome Lever (one pair)
20	A	K-512-15	Handle Kit for Villager Collection with White Lever (one pair)
		XSU-512-G-02	Handle Grip chrome plated (2 pcs per pack)
		XSU-512-G-15	Handle Grip white (2 pcs per pack)

CENTRAL BRASS MFG CO

2950 East 55th Street, Cleveland, Ohio 44127

Phone: 216-883-0220 Fax: 216-883-0875 Email: sales @CentralBrass.com

CENTRAL BRASS MAINTENANCE INSTRUCTIONS

DISASSEMBLY	REPLACEMENT
<div style="border: 1px solid black; padding: 5px; margin-bottom: 10px;"> <p>1 REMOVE HANDLE</p>  <ol style="list-style-type: none"> 1. Turn off water supply. 2. Remove screw. 3. Remove handle. </div> <div style="border: 1px solid black; padding: 5px; margin-bottom: 10px;"> <p>2 REMOVE STEM ASSEMBLY</p>  <ol style="list-style-type: none"> 1. Use adjustable wrench. 2. Turn stem to open position 3. Unscrew counter-clockwise. Remove stem unit. </div> <div style="border: 1px solid black; padding: 5px;"> <p>3 REMOVE SEAT</p>  <ol style="list-style-type: none"> 1. Insert 5/16" allen wrench in seat. 2. Turn seat counter-clockwise to remove. </div>	<div style="border: 1px solid black; padding: 5px; margin-bottom: 10px;"> <p>4 Use Only Genuine Central Replacement Parts</p> <p>G-454-ER Hot stem assembly 1/4 turn G-454-EL Cold stem assembly 1/4 turn XPF-263-C Replaceable Seat</p> </div>  <p style="text-align: center;">Nylon Gasket</p> <p style="text-align: center;">Replace Components In Reverse Order of Disassembly</p>

- If faucet has round handles (G-398) or (70 or 80 suffixes) , use two Hot stem assemblies
- If faucet has lever handles, use one Hot and one Cold stem assemblies

CENTRAL BRASS MFG CO
 2950 East 55th Street, Cleveland, Ohio 44127
 Phone: 216-883-0220 Fax: 216-883-0875 Email: sales @CentralBrass.com