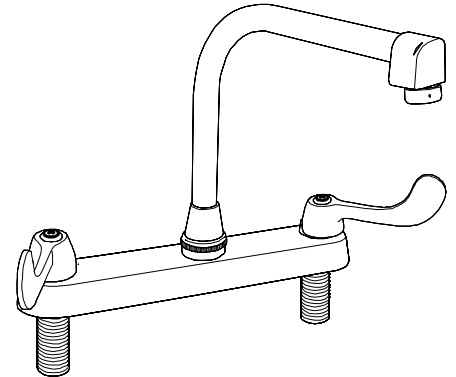
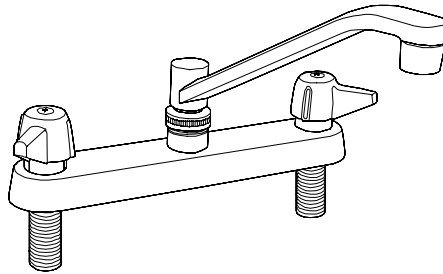
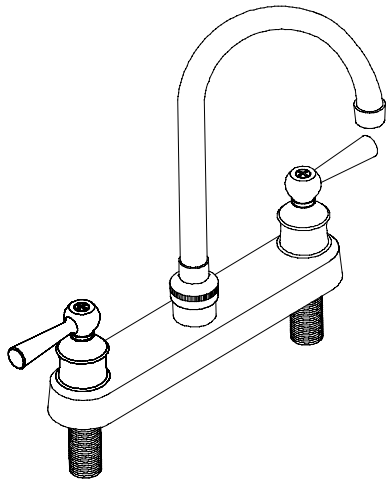


# Central Brass®

The Easy Choice

## KITCHEN TOPMOUNT FAUCET

8 Inch Centers  
Cast Brass Body



### *Installation Instructions*

#### 8" Centers with Compression Stem Assemblies

**0120 - A Series with 8-inch Swivel Spout**

**0122 - A Series with 8-inch D-Spout**

#### 8" Centers with Ceramic Stem Cartridges

**80122 - A Series with 8-inch D-Spout**

#### Villager Collection with Compression Stem Assemblies

**100120 - A Series Chrome Lever with 8-inch Swivel Spout**

**100122 - A Series Chrome Lever with 8-inch D-Spout**

**200120 - A Series White Lever with 8-inch Swivel Spout**

**200122 - A Series White Lever with 8-inch D-Spout**

#### 8" Centers Villager Collection with Ceramic Stem Cartridges

**180120 - A Series Chrome Lever with 8-inch Swivel Spout**

**180122 - A Series Chrome Lever with 8-inch D-Spout**

**280120 - A Series White Lever with 8-inch Swivel Spout**

**280122 - A Series White Lever with 8-inch D-Spout**



Faucets with lever, wrist or elbow handles and compression or ceramic stem cartridges are ADA compliant.



Certified to  
ANSI/NSF 61 Section 9

**CENTRAL BRASS MFG CO**

2950 East 55th Street, Cleveland, Ohio 44127

Phone: 216-883-0220

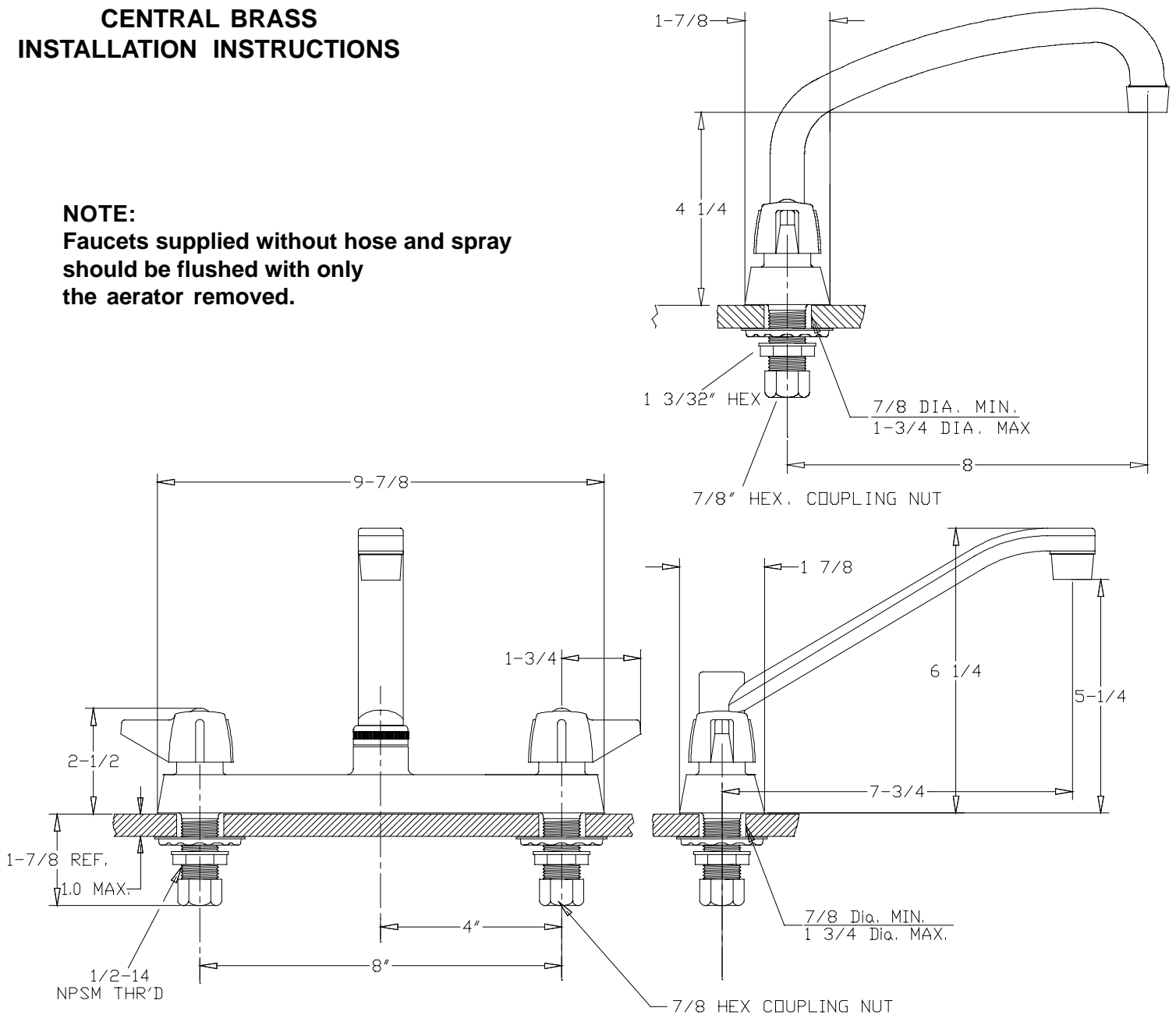
Fax: 216-883-0875

Email: sales @CentralBrass.com

# CENTRAL BRASS INSTALLATION INSTRUCTIONS

## NOTE:

Faucets supplied without hose and spray should be flushed with only the aerator removed.



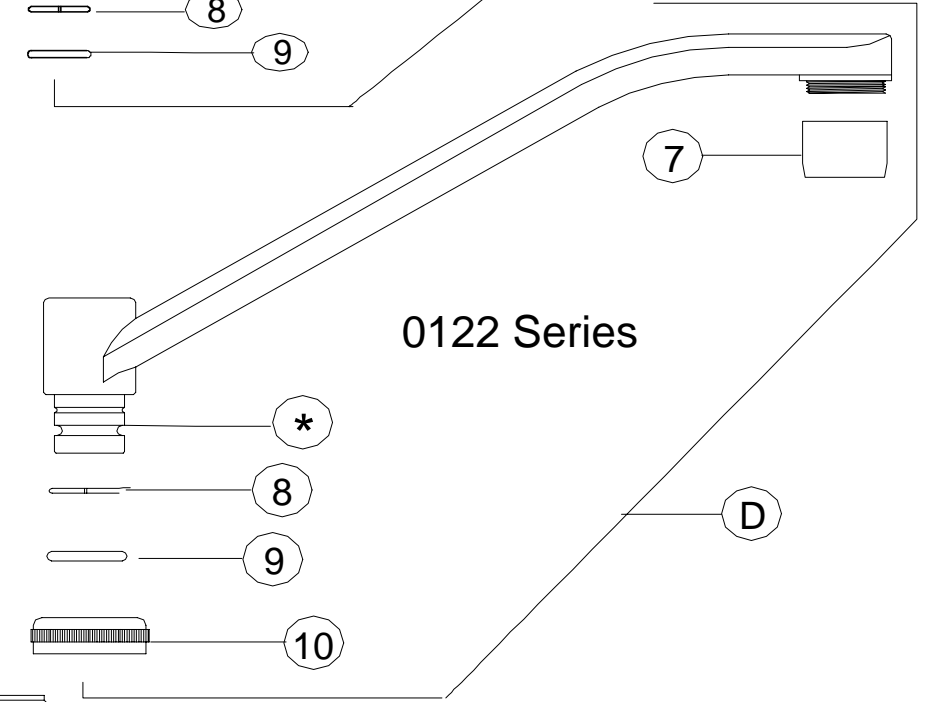
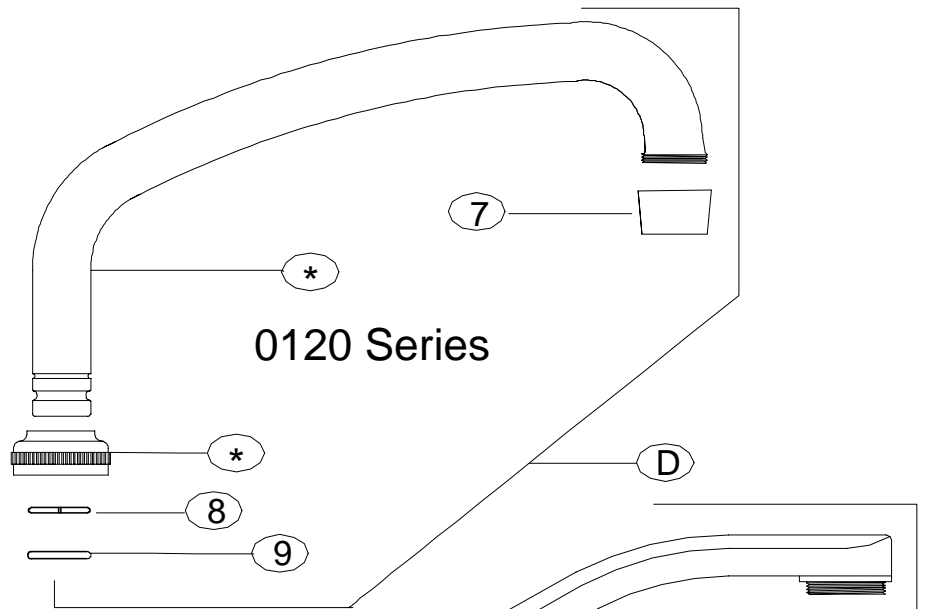
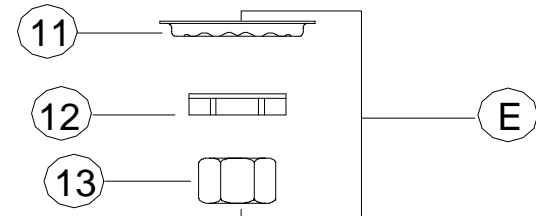
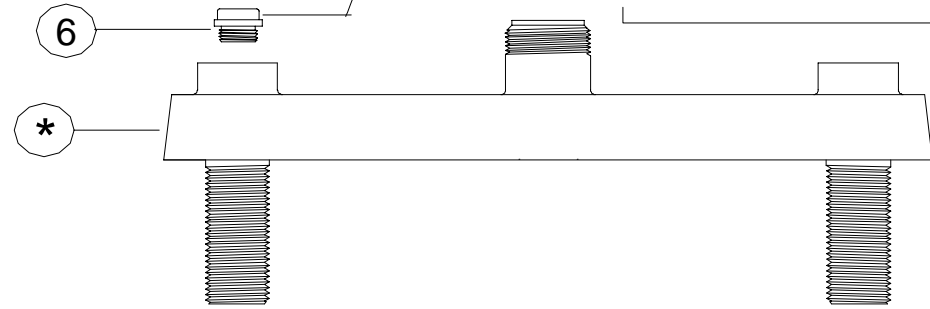
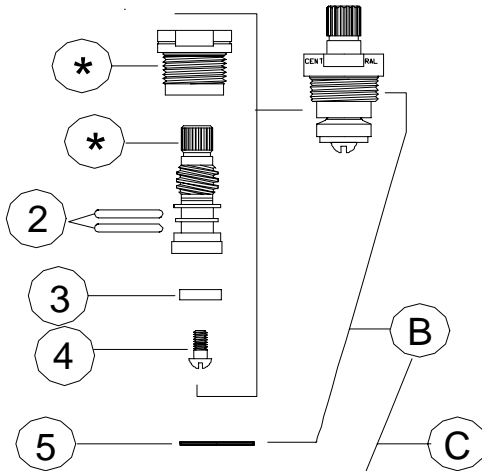
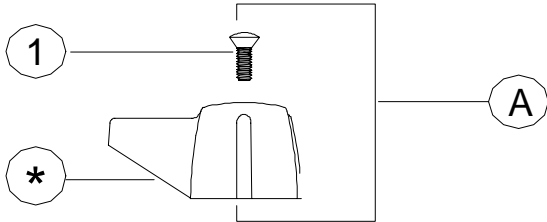
1. Apply a thin coat of soft plumbers putty to the bottom edge of the faucet body, place the faucet shanks thru the holes in the sink. (Handles indexed cold on right side, body marked on bottom front for those without handle indexes.)
2. Attach steel washer and locknuts and tighten. Connect hot water supply to left side and cold water supply to right side. Tighten coupling nuts securely.
3. Install spout, without aerator. Turn on hot and cold water for one minute to flush out dirt and sediment that might have accumulated during installation.
4. Install spout aerator.
5. Check all connections for leakage.

## CENTRAL BRASS MFG CO

2950 East 55th Street, Cleveland, Ohio 44127

Phone: 216-883-0220 Fax: 216-883-0875 Email: sales @CentralBrass.com

# REPLACEMENT PARTS



\* These items are not offered individually and must be purchased as a group or unit. Please contact Central Brass for more information.

**CENTRAL BRASS MFG CO**

2950 East 55th Street, Cleveland, Ohio 44127

Phone: 216-883-0220 Fax: 216-883-0875 Email: sales @CentralBrass.com

# REPLACEMENT PARTS

| #  | Part #    | Description  |
|----|-----------|--|
| A  | G-523-C   | Lever Handle C Indexed with Screw (X107-F)                         |
| A  | G-523-H   | Lever Handle H Indexed with Screw (X107-F)                         |
| B  | G-453-EL  | Cold O-Ring Stem Assembly with Gasket (X1028-Y)                    |
| B  | G-453-ER  | Hot O-Ring Stem Assembly with Gasket (X1028-Y)                     |
| C  | K-453-C   | Cold O-Ring Stem Assembly with Gasket (X1028-Y) and Seat (X263-BC) |
| C  | K-453-H   | Hot O-Ring Stem Assembly with Gasket (X1028-Y) and Seat (X263-BC)  |
| D  | SU-363-RA | 8-Inch Swivel Spout with Aerator (30-M) 0120 Series                |
| D  | SU-365-CA | 8-Inch Swivel D-Spout with Aerator (30-M) 0122 Series              |
| E  | G-913-A   | Coupling Nut group (1 set)   |
| 1  | X107-F    | Handle Screw (25 pcs per pack)                                     |
| 2  | X1038-453 | O-Rings (25 pcs per pack)  |
| 3  | X901-WNN  | Stem Seat Washer (25 pcs per pack)                                 |
| 4  | X104      | Seat Washer Screw (25 pcs per pack)                                |
| 5  | X1028-Y   | Gasket (25 pcs per pack)   |
| 6  | X263-BC   | Replacement Seat (10 pcs per pack)                                 |
| 7  | 30-M      | Aerator  |
| 8  | X166-FN   | Snap Ring (6 pcs per pack)   |
| 9  | X1038-KN  | Spout O-Ring (25 pcs per pack)                                     |
| 10 | X54       | Crowfoot Washer (10 pcs per pack)                                  |
| 11 | X7133-AL  | Locknut (10 pcs per pack)  |
| 12 | X4015     | Coupling Nut (4 pcs per pack)                                      |

## OPTIONS & REPLACEMENT PARTS for options

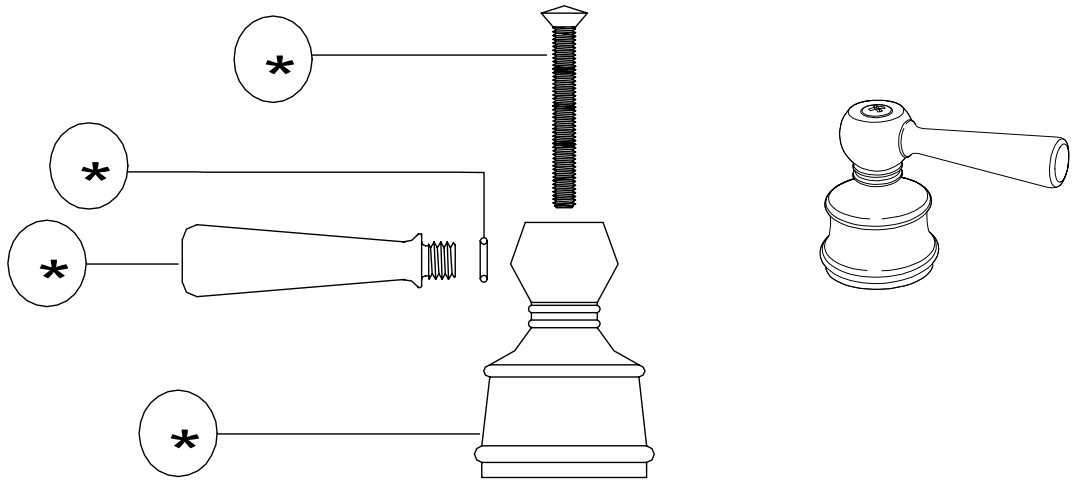
| Suffix Number | Replaces Item # | Part Number    | Description   |
|---------------|-----------------|----------------|---|
| 2             | D               | SU-363-JA      | 10-Inch Swivel Spout with Aerator (30-M)  |
| 3             | D               | SU-363-LA      | 12-Inch Swivel Spout with Aerator (30-M)  |
| 4             | D               | SU-363-MA      | 14-Inch Swivel Spout with Aerator (30-M)  |
| 07            | D               | SU-357-WSA     | 8 ¾ - Inch High-Rise Swivel Spout with Aerator (30-L)   |
| 7             | D               | SU-1974-A      | 10-Inch Cast Spout with Aerator (30-M)  |
| 8             | D               | SU-357-HSA     | 7 ¼ - Inch High-Rise Swivel Spout with Aerator (30-L)   |
| TSA           | D               | SU-257-TSA     | Tri-Arc Swivel Gooseneck Spout with Aerator (30-M)  |
| GRA           | D               | SU-157-GRA     | 4 ¾ - Inch Rigid Gooseneck Spout with Aerator (30-M)  |
| GSA           | D               | SU-157-GSA     | 4 ¾ - Inch Swivel Gooseneck Spout with Aerator (30-M)   |
| KRA           | D               | SU-157-KRA     | 5 ½ - Inch Rigid Gooseneck Spout with Aerator (30-M)  |
| KSA           | D               | SU-157-KSA     | 5 ½ - Inch Swivel Gooseneck Spout with Aerator (30-M)   |
|               |                 | PF-741-DO      | Double O-Ring Adapter for the SU-157-KSA Spout  |
|               |                 | XPF-166-U      | Brass Adapter for the SU-157-KSA and SU-157-KRA Spouts  |
|               |                 | 30-M           | Aerator   |
|               |                 | 30-L           | Aerator (Male) for SU-357-HSA & SU-357-WSA spouts   |
| EL            | A               | G-4149-C or H  | 6-Inch Brass Wrist Handles – Cold Index Blue (X107-FB) or Hot Index Red (X107-FR)                                 |
| ELS           | A               | G-4147-C or H  | 4-Inch Brass Wrist Handles – Cold Index Blue (X107-FB) or Hot Index Red (X107-FR)                                 |
| X             | A & E           | G-1143-C or H  | Brass Canopy Lever Handles – Cold Index Blue (X107-FB) or Hot Index Red (X107-FR) & Brass Locknut group (G-913-X) |
|               |                 | X7133-B        | Brass Locknuts  |
|               |                 | X107-FB or FR  | Blue Index or Red Index (5pcs per pack) Used for EL, ELS and X suffix's   |
| 70            | A               | K-506-1C or 1H | Acrylic Handles with C or H metal indexed buttons   |
| 80            | A               | K-504-1C or 1H | Silver Crown Acrylic Handles with C or H metal indexed buttons  |
|               |                 | X126-625B      | Handle Screw for Acrylic Handles suffix's 70 or 80 (6 pcs per pack)   |
|               |                 | G-503-M-02     | Metal indexed buttons C & H for Acrylic Handles suffix's 70 or 80 (one pair per pack)                             |
| M             | 6               | X263-BM        | Replaceable Monel Seat (2 pcs per pack)   |
| M             | B               | G-453-ELM      | Cold O-Ring Stem Assembly with Monel Seat Screw (X104-ML)   |
| M             | B               | G-453-ERM      | Hot O-Ring Stem Assembly with Monel Seat Screw (X104-ML)  |
| M             | 4               | X104-ML        | Monel Seat Screw (6 pcs per pack)   |
| Q             | B               | G-454-EL       | Quick-Presson Quarter-Turn Cold O-Ring Stem Assembly with Gasket (X1028-Y)  |
| Q             | B               | G-454-ER       | Quick-Presson Quarter-Turn Hot O-Ring Stem Assembly with Gasket (X1028-Y)   |

## CENTRAL BRASS MFG CO

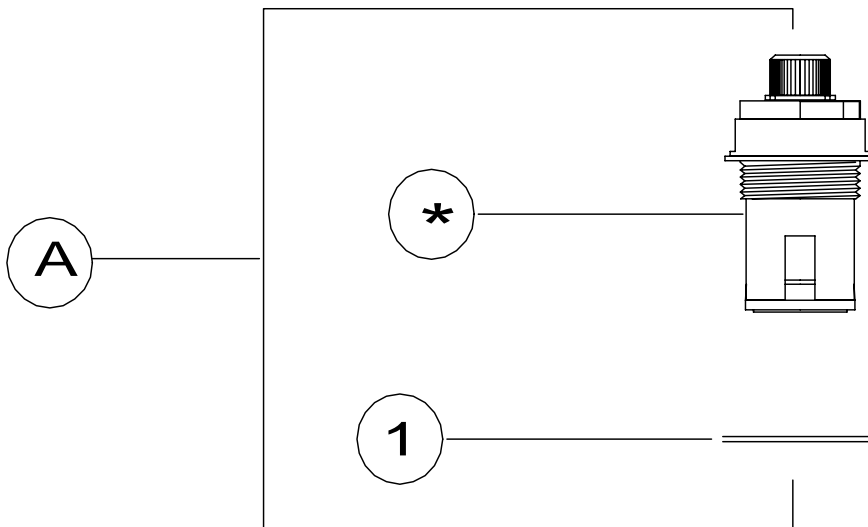
2950 East 55th Street, Cleveland, Ohio 44127

Phone: 216-883-0220 Fax: 216-883-0875 Email: sales @CentralBrass.com

# REPLACEMENT PARTS



| # | Part Number | Description   |
|---|-------------|---|
| A | K-512-02    | Handle kit for Villager Collection with Chrome Lever ( one pair ) |
| A | K-512-15    | Handle kit for Villager Collection with White Lever ( one pair )  |



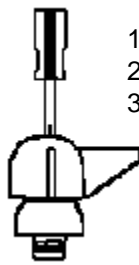

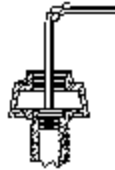
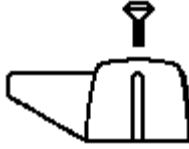




| # | Part Number | Description   |
|---|-------------|---|
| A | K-352-C     | Ceramic-disc Stem Cartridge Cold Side with Gasket (X1028-Y) |
| A | K-352-H     | Ceramic-disc Stem Cartridge Hot Side with Gasket (X1028-Y)  |
| 1 | X1028-Y     | Gasket (25 pcs per pack)                                    |

## CENTRAL BRASS MFG CO

2950 East 55th Street, Cleveland, Ohio 44127

Phone: 216-883-0220 Fax: 216-883-0875 Email: sales @CentralBrass.com

# CENTRAL BRASS MAINTENANCE INSTRUCTIONS

| DISASSEMBLY  | REPLACEMENT  |
|--|--|
| <div style="border: 1px solid black; padding: 5px; margin-bottom: 5px;"> <p><b>1 REMOVE HANDLE</b></p>  <ol style="list-style-type: none"> <li>1. Turn off water supply.</li> <li>2. Remove screw.</li> <li>3. Remove handle.</li> </ol> </div> <div style="border: 1px solid black; padding: 5px; margin-bottom: 5px;"> <p><b>2 REMOVE STEM ASSEMBLY</b></p>  <ol style="list-style-type: none"> <li>1. Use adjustable wrench.</li> <li>2. Unscrew (counterclockwise) remove stem unit.</li> </ol> </div> <div style="border: 1px solid black; padding: 5px;"> <p><b>3 REMOVE SEAT</b><br/>(For compression stems only)</p>  <ol style="list-style-type: none"> <li>1. Insert 5/16" allen wrench in seat.</li> <li>2. Turn seat (counterclockwise) to remove.</li> </ol> </div> | <div style="border: 1px solid black; padding: 5px; margin-bottom: 5px;"> <p><b>4 Use Only Genuine Central Replacement Parts</b></p> <p><b>Compression Units</b><br/> <b>G-453-ER</b> Hot stem assembly<br/> <b>G-453-EL</b> Cold stem assembly<br/> <b>X263-BC</b> Replaceable Seat</p> <p><b>Ceramic Units</b><br/> <b>K-352-H</b> Ceramic Hot stem assembly<br/> <b>K-352-C</b> Ceramic Cold stem assembly</p> </div> <div style="text-align: center; padding: 10px 0;">  </div> <div style="display: flex; justify-content: space-around; align-items: center; padding: 10px 0;"> <div style="text-align: center;">  <p><b>COMPRESSION</b></p>  </div> <div style="text-align: center;">  <p><b>CERAMIC</b></p>  </div> </div> |

- If faucet has round handles (70 or 80 suffixes) , use two Hot stem assemblies
- If faucet has lever handles, use one Hot and one Cold stem assemblies

**CENTRAL BRASS MFG CO**  
 2950 East 55th Street, Cleveland, Ohio 44127  
 Phone: 216-883-0220    Fax: 216-883-0875    Email: sales @CentralBrass.com