

CENTRALGARD II

Pressure Balance Valve



The Pressure Balance valves come with Loop Handle design operated by a ceramic cartridge and are available with or without the tub filler diverter spout. All trim has a chrome plated finish except for the massage shower head. The valves are available in copper to copper or iron pipe connections for your installation needs.

Available as:

2000 - Tub & Shower C x C

2001 - Shower only C x C

2100 - Tub & Shower I. P.

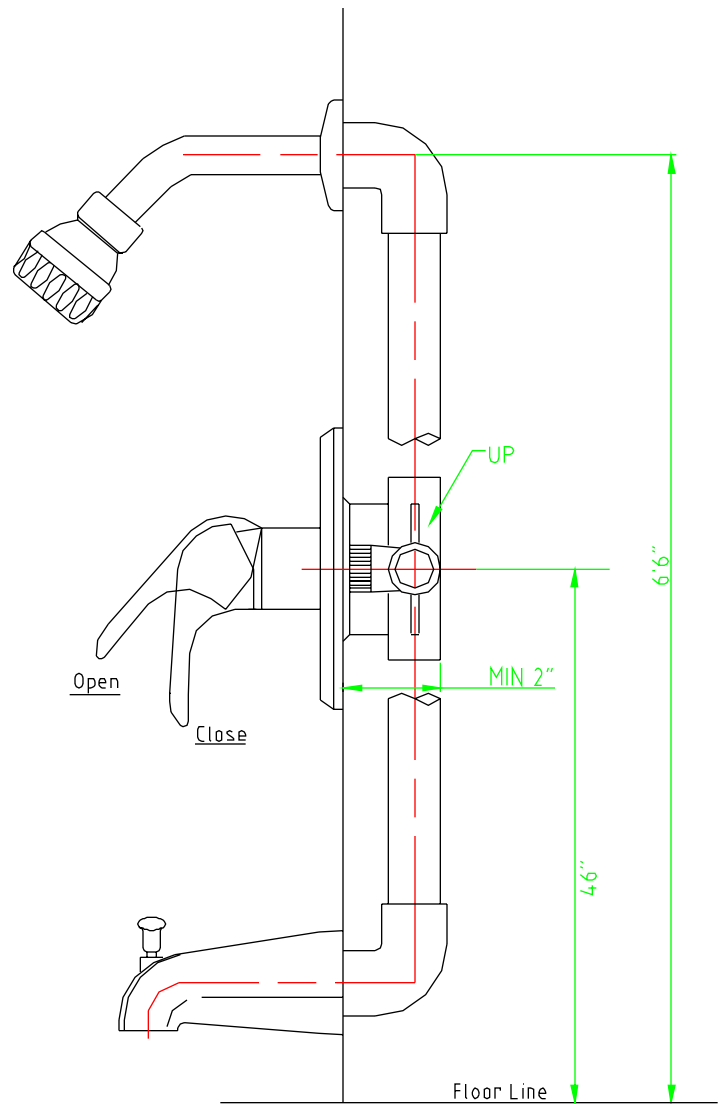
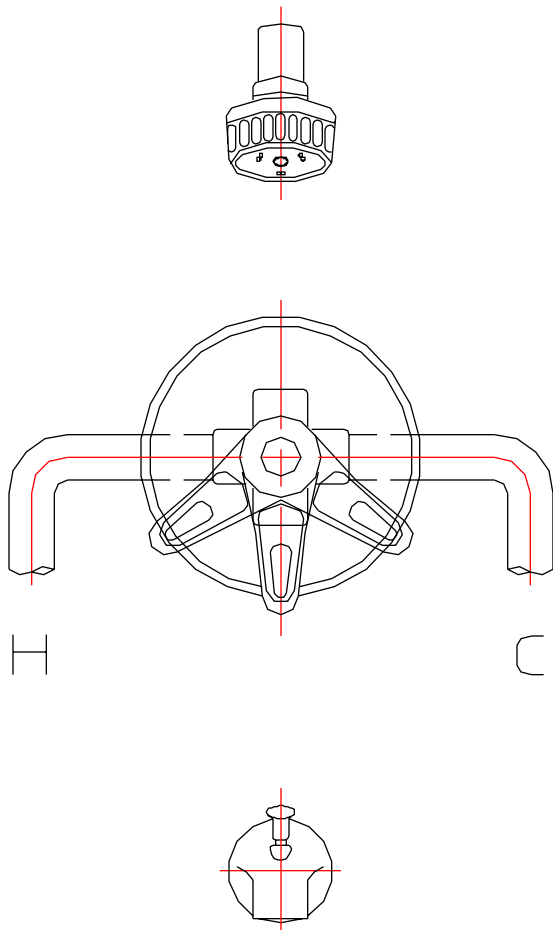
2101 - Shower only I. P.

Central Brass

The Easy Choice

CENTRALGARD II

Pressure Balance Valve



The Centralgard II bath and shower fitting has a pressure balance valve and a forged brass body, along with a ceramic cartridge. The pressure balance valve cartridge is replaceable by removing the handle and faceplate. All items have shower arm flange, a brass shower arm, both with a chrome plated finish, and a massage type shower head. Items 2000 & 2100, come with a zinc die cast diverter spout which has a chrome plated finish. The valve is available with copper to copper direct sweat or iron pipe connections.

Flow Rate: 2.5 GPM/ 9.5 LPM @ 80 psi
ADA Compliant and Meets ASME A112.18.1M

Available as:

- 2000 - Tub & Shower C x C
- 2001 - Shower only C x C
- 2100 - Tub & Shower I. P.
- 2101 - Shower only I. P.



Central Brass

MANUFACTURING COMPANY
2950 East 55th St. Cleveland, Ohio 44127
Phone: (216) 883-0220 Fax: (216) 883-0875
www.CentralBrass.com