



Single Handle Lavatory Faucet



This Single Handle Lavatory faucet is mounted on 4-inch centers and has a Loop Handle design operated by a ceramic cartridge. The aerator has a water flow of 2.0 GPM. All faucet trim has a chrome plated finish

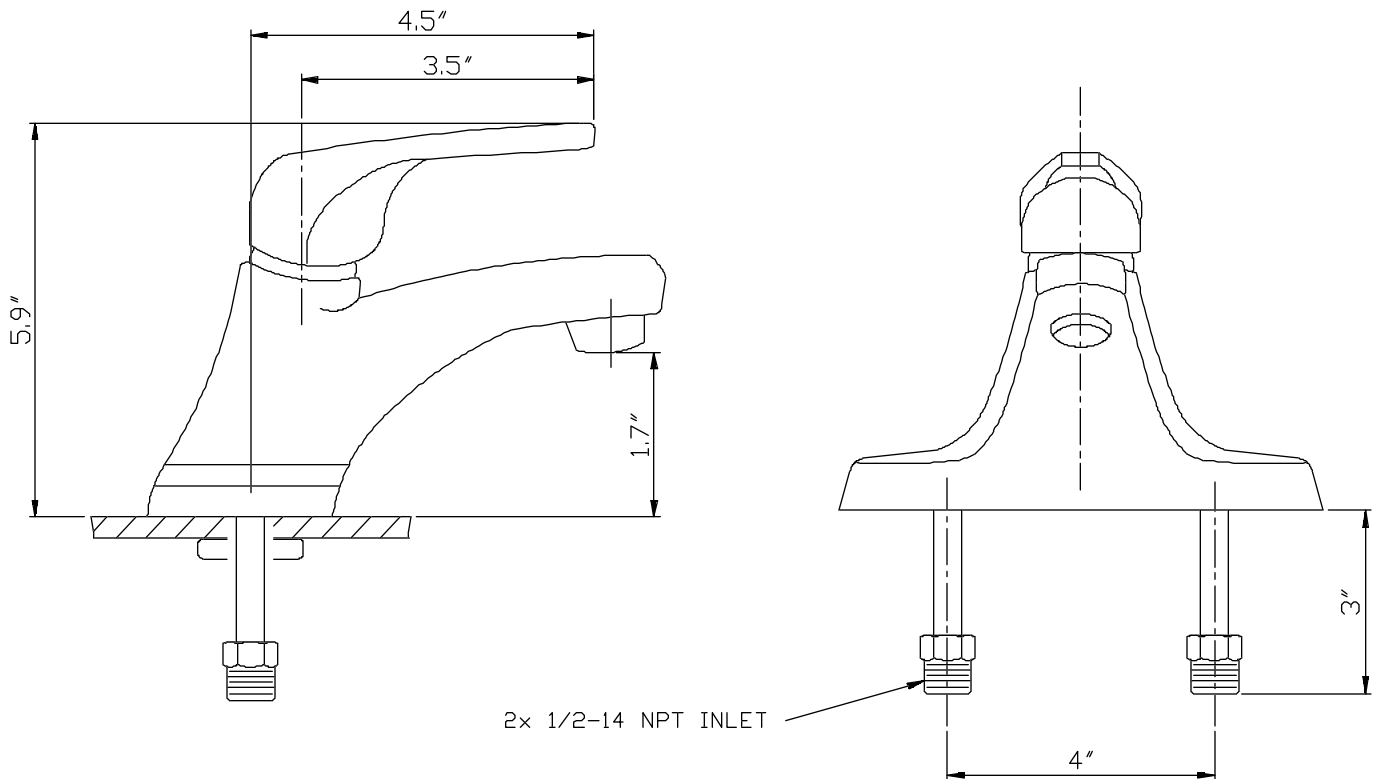
1900-A

Central Brass

The Easy Choice

1900-A

Single Handle Lavatory Faucet



The four inch center single handle lavatory faucet has a brass waterway with a chrome plated shell. The cartridge has ceramic sealing discs. The handle is zinc die cast with a chrome plated finish. It is fitted with a water saving aerator that limits the flow rate to 2.0 GPM. The o-rings and seals are rubber.

Flow Rate: 2.0 GPM/ 7.6 LPM @ 60 psi
ADA Compliant and Meets ASME A112.18.1M
ANSI/NSF 61/Section 9 Certified



Central Brass

MANUFACTURING COMPANY
2950 East 55th St. Cleveland, Ohio 44127
Phone: (216) 883-0220 Fax: (216) 883-0875
www.CentralBrass.com