

Central Brass C O M P A N Y

Brecksville, Ohio 44141
Phone: (216) 883-0220 Fax: (440) 526-5745
www.CentralBrass.com

MODEL NO. 0006-H1/2
WALL MOUNT

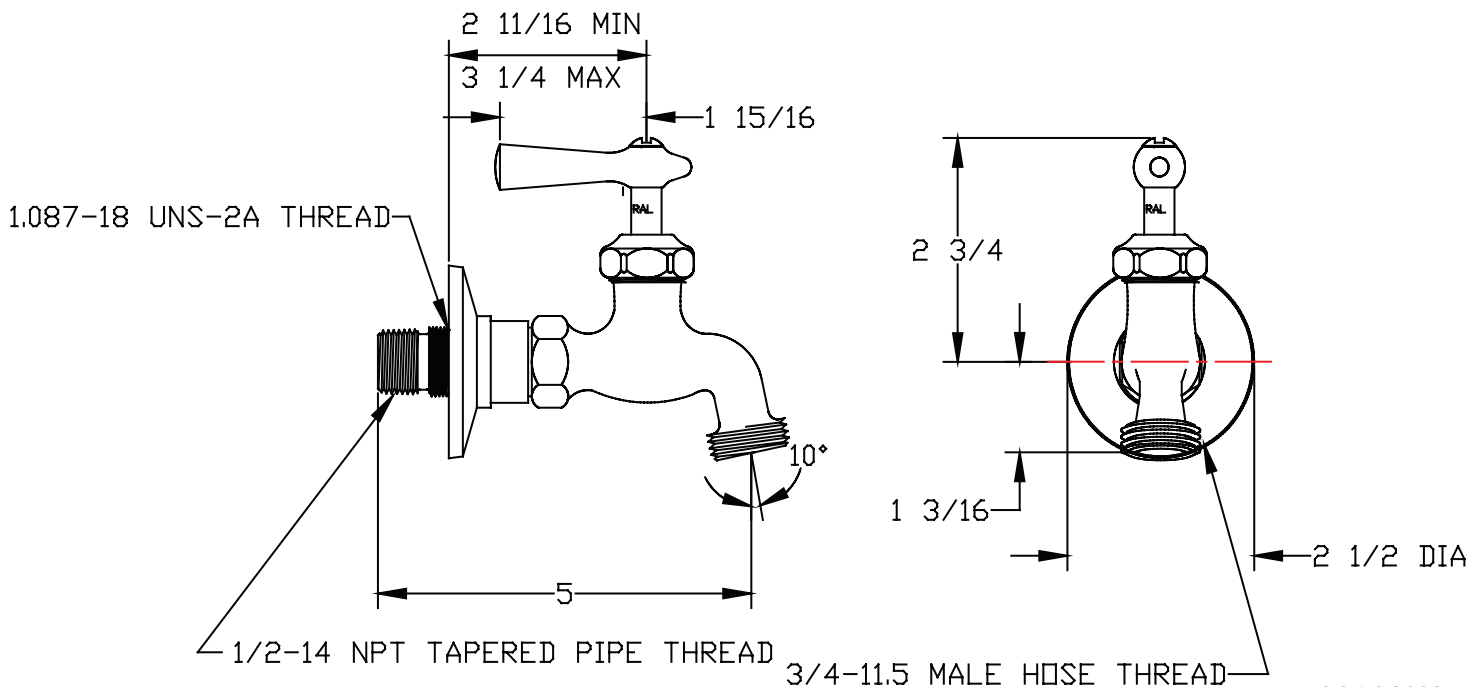
0006-H1/2C (Cold index) 0006-H1/2H (Hot index)

The wall mounted sink fitting has a cast brass body with a polished chrome plated finish. The mounting is adjustable with a threaded chrome plated flange. The outlet is 3/4-inch hose thread. The brass stem, seat, rubber seat washer, and reinforced packing are all easily replaced. The lever handle is available with "C" or "H" index.

Meets ANSI/NSF Standard 61, Section 9, for Lead
ASME A112.18.1M



Installation Drawing



06-16-2008

Central Brass

COMPANY

Brecksville, Ohio 44141
 Phone: (216) 883-0220 Fax: (440) 526-5745
 www.CentralBrass.com

MODEL NO. 0006-H1/2
WALL MOUNT

Parts Breakdown

#	Part #	Description
1	1218-R	Brass Body
2	PF-23-B	Brass Seat
3	104	Brass Screw
4	901-WNN	Rubber Washer
5	PF-1855-47RPRC	Brass Stem
6	PF-4	Brass Washer
7	809	Packing
8	PF-460	Brass Cap
9	520-AH	Aluminum Handle Indexed H
9	520-AC	Aluminum Handle Indexed C
10	126-S	Steel Screw
11	1146	Zinc Escutcheon

The parts listed in the parts breakdown above may not be offered separately as replacement parts. Please review the Replacement Parts page for the authorized replacement parts that are available for this item.

