

# Central Brass

C O M P A N Y

Brecksville, Ohio 44141

Phone: (216) 883-0220 Fax: (440) 526-5745

www.CentralBrass.com

MODEL NO. 0009-H1/2  
SINK FITTING

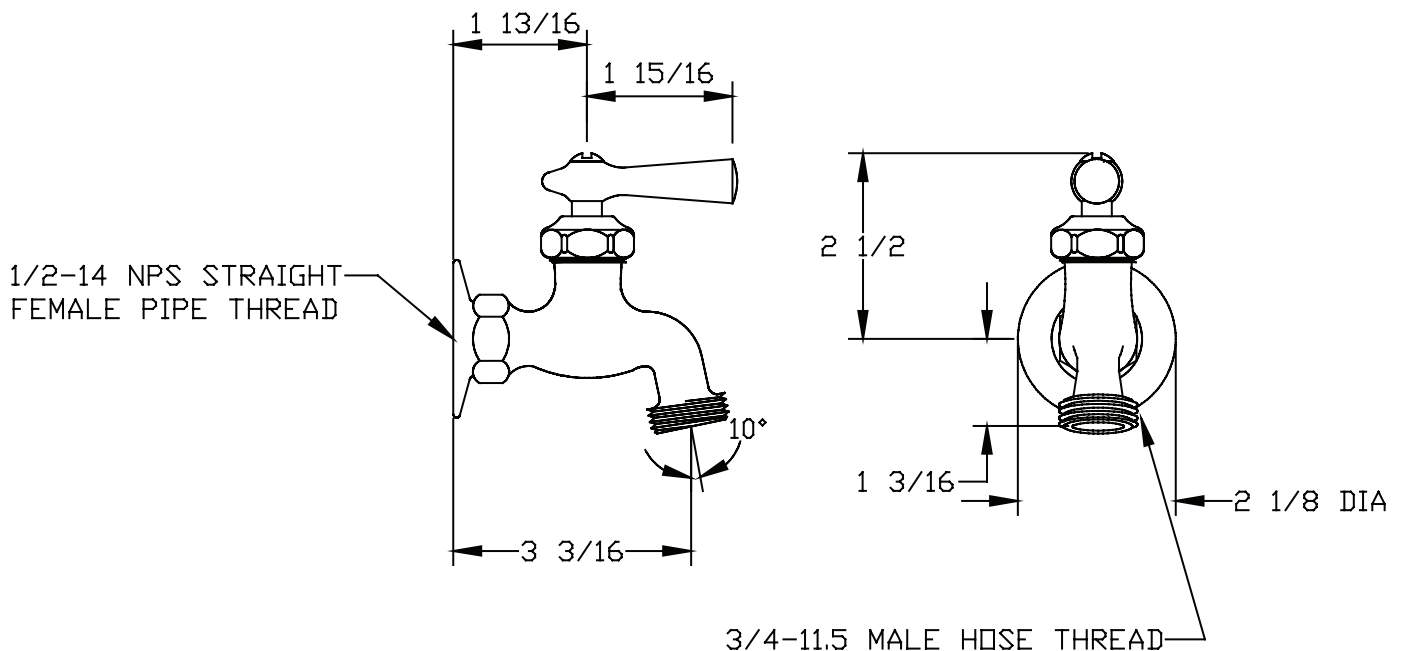
## 0009-H1/2C (Cold index) 0009-H1/2H (Hot index)

The wall mounted sink fitting has a cast brass body with a rough chrome finish. The female inlet is 1/2-14 NPS straight pipe thread. The outlet is 3/4 inch hose thread. The brass stem, seat, rubber seat washer and reinforced packing are all easily replaced. The lever handle is zinc die cast and is available indexed "C" or "H".

Meets ANSI/NSF Standard 61, Section 9, for Lead  
ASME A112.18.1M



## Installation Drawing



# Central Brass

C O M P A N Y

Brecksville, Ohio 44141

Phone: (216) 883-0220 Fax: (440) 526-5745

www.CentralBrass.com

**MODEL NO. 0009-H1/2**  
**SINK FITTING**

## Parts Breakdown

#	Part #	Description
1	1216-RRC	Brass Body
2	PF-263-B	Brass Seat
3	104	Brass Screw
4	901-WNN	Rubber Washer
5	PF-1855-47PRC	Brass Stem
6	PF-4	Brass Washer
7	809	Packing
8	PF-460	Brass Cap Nut
9	520-AH	Aluminum Handle Indexed H
9	520-AC	Aluminum Handle Indexed C
10	126-S	Steel Screw

The parts listed in the parts breakdown above may not be offered separately as replacement parts. Please review the Replacement Parts page for the authorized replacement parts that are available for this item.

