

# Central Brass

C O M P A N Y

Brecksville, Ohio 44141

Phone: (216) 883-0220 Fax: (440) 526-5745

www.CentralBrass.com

MODEL NO. 0971-Z  
BATH & SHOWER FITTING

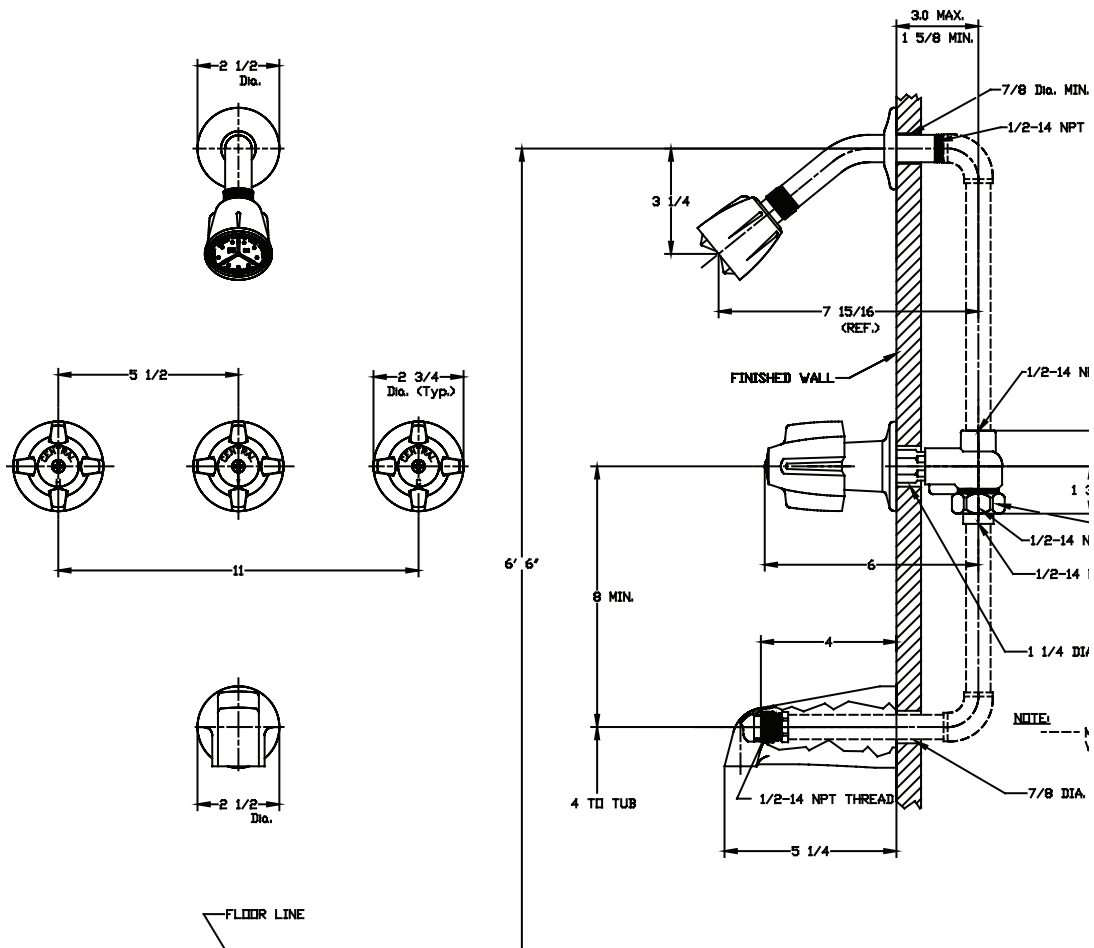
The three valve bath and shower fitting is made with a cast brass body with replaceable seats designed for union connections. The stem units are all brass with a reinforced rubber packing and rubber seat washers. The stem units can be easily replaced from the front of the fitting without removing the valve body. The handles, spout and escutcheons are zinc die cast with a chrome plated finish. The shower arm is brass with chrome plated finish, the escutcheon is stainless steel and the shower head is chrome plated plastic. The spout is cast brass with a chrome plated finish

ASME A112.18.1M

Shower Flow Rate 2.5 gpm @ 80 psi



## Installation Drawing



# Central Brass

COMPANY

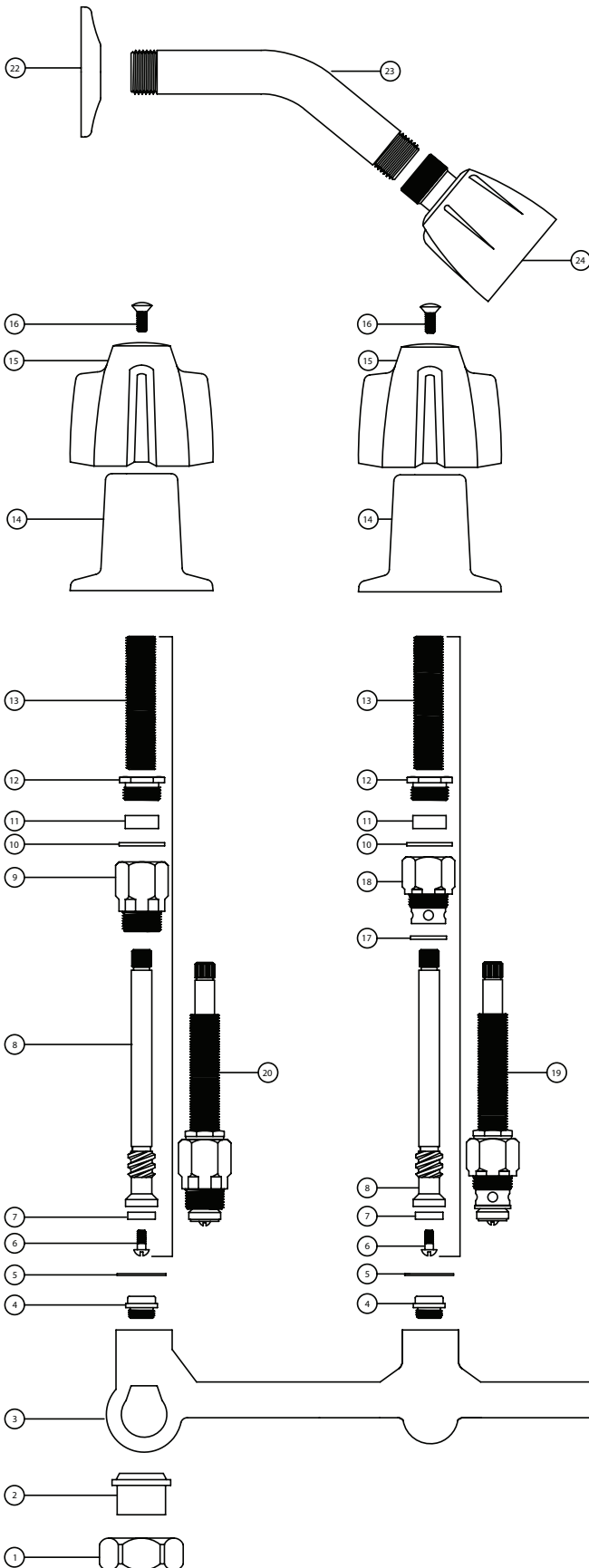
Brecksville, Ohio 44141

Phone: (216) 883-0220 Fax: (440) 526-5745

www.CentralBrass.com

**MODEL NO. 0971-Z  
BATH & SHOWER FITTING**

## Parts Breakdown



#	Part #	Description
1	1876-BB	Brass Coupling
2	1875	Brass Union
3	1511	Brass 3-Valve Body
4	PF-263-B	Brass Seat
5	1028-Y	Nylon Gasket
6	104	Brass Seat Washer Screw
7	901-WNN	Seat Washer
8	1548-CT	Right Thread Brass Stem
9	1549-CT	Right Thread Brass Bonnet
10	4-L	Brass Washer
11	814-BARP	Packing
12	765-TA	Brass Packing Nut
13	269-29/16	Brass Threaded Nipple
14	521-B	Escutcheon
15	508-C	Handle Indexed "C"
15	508-D	Handle Indexed Arrow
15	508-H	Handle Indexed "H"
16	107-F	Brass Phillips Head Screw
17	4-N	Celcon Washer
18	1588-CT	Right Thread Brass Bonnet
19	SU-1548-CTDP	Diverter Stem Assembly
20	SU-1548-CTP	Right Thread Stem Assembly
21	3154-Z	Zamak Spout
22	1035-SS	Shower Arm Flange
23	914-WT-02	Brass Shower Arm
24	3034-1/2-02	Showerhead

The parts listed in the parts breakdown above may not be offered separately as replacement parts. Please review the Replacement Parts page for the authorized replacement parts that are available for this item.