

# Central Brass

COMPANY

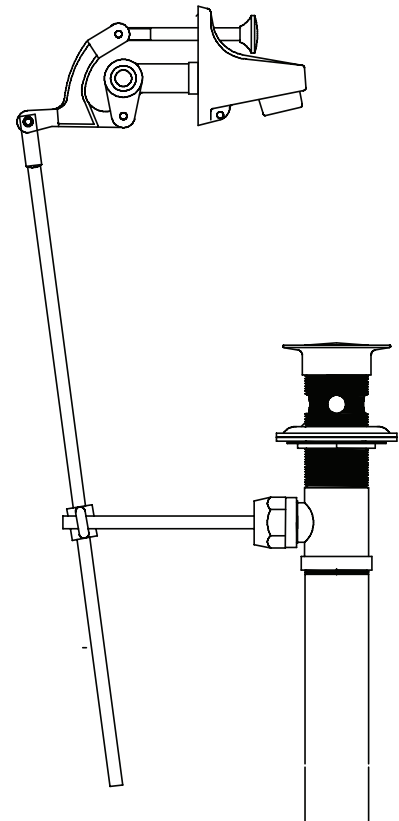
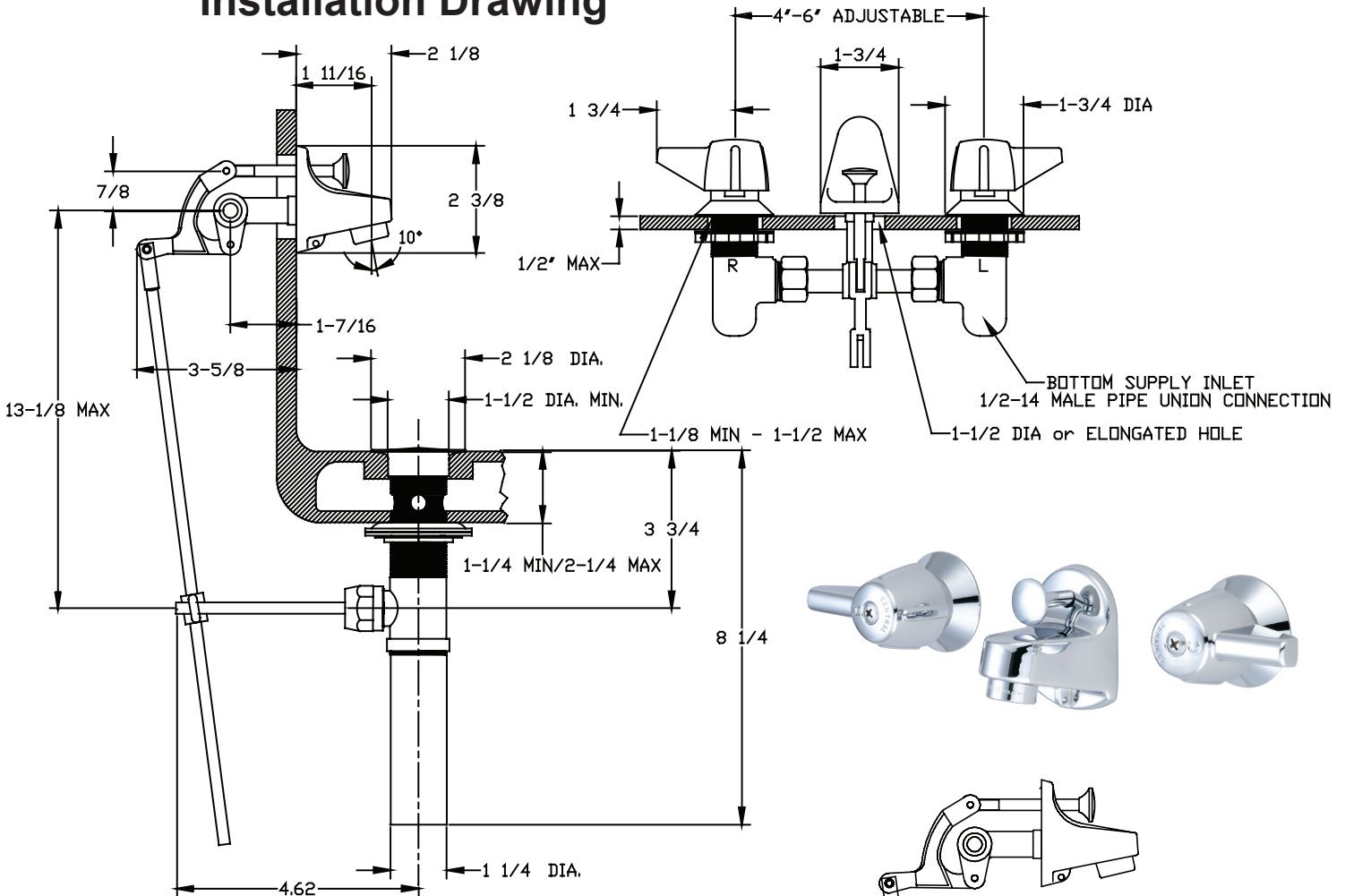
Brecksville, Ohio 44141

Phone: (216) 883-0220 Fax: (440) 526-5745

www.CentralBrass.com

MODEL NO. 1177-DA  
LAVATORY FAUCET

## Installation Drawing



The lavatory faucet is designed with two solid cast brass bodies and a center brass connecting tee. The faucet bodies have 1/2-14 NPS union supply connections. The stems are all brass with a double O-Ring seal and rubber seat washer. The canopy handles are zinc die cast with a chrome plated finish. The faucet tee connection is made for fitting sinks with different hole locations. The center tee may be cut off for closer hole requirements. The faucet is equipped with a water saving aerator that limits the flow rate. The pop-up drain is brass with a chrome plated finish. The stopper and guide assembly can be easily removed for cleaning.

Flow Rate: 2.0 GPM @ 60 psi  
ADA Compliant and Meets ASME A112.18.1M  
ANSI/NSF 61/Section 9 Certified



# Central Brass

C O M P A N Y

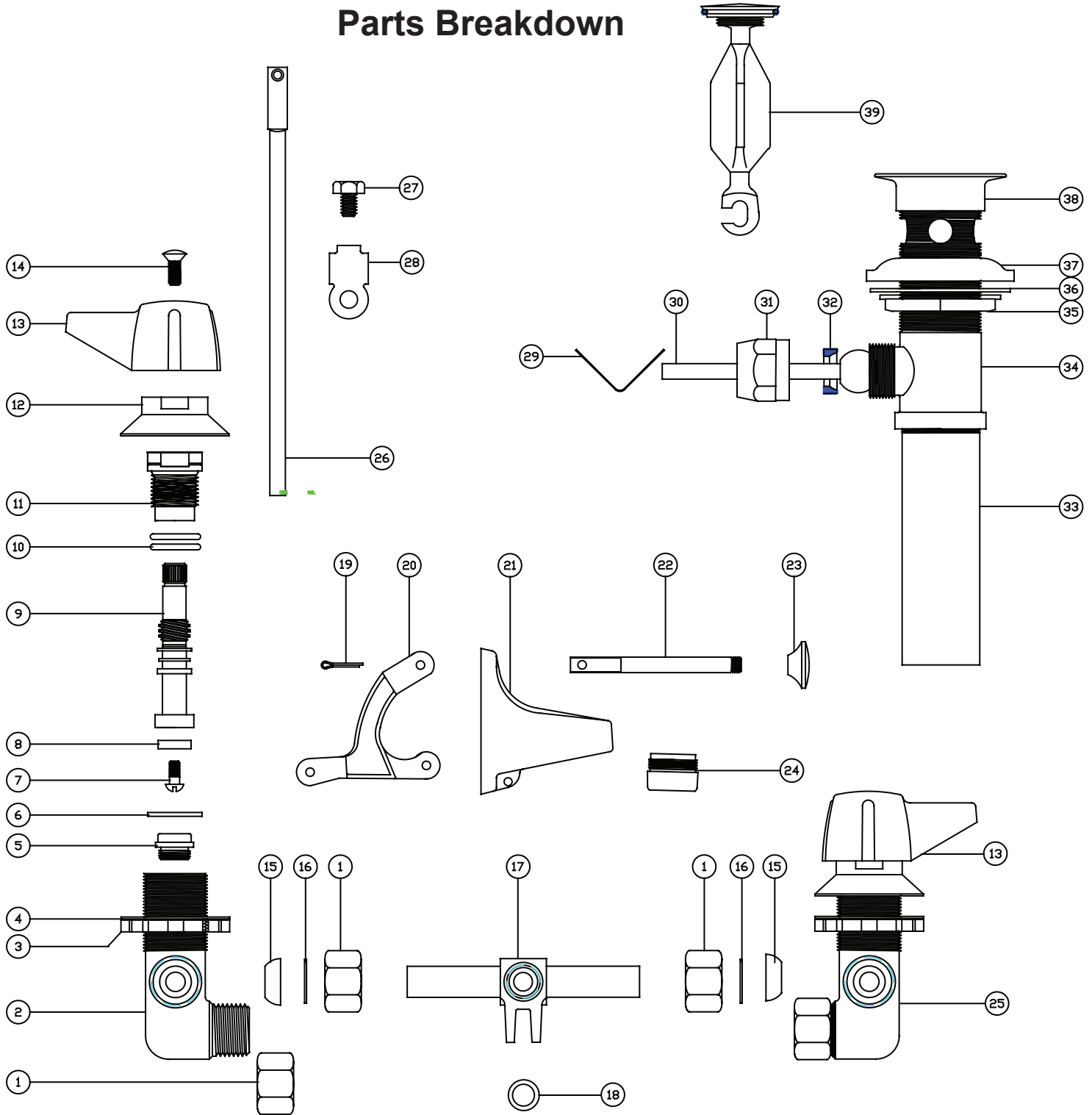
Brecksville, Ohio 44141

Phone: (216) 883-0220 Fax: (440) 526-5745

www.CentralBrass.com

**MODEL NO. 1177-DA  
LAVATORY FAUCET**

## Parts Breakdown



The parts listed in the parts breakdown above may not be offered separately as replacement parts. Please review the Replacement Parts page for the authorized replacement parts that are available for this item.

# Central Brass

COMPANY

**MODEL NO. 1177-DA  
LAVATORY FAUCET**

Brecksville, Ohio 44141  
Phone: (216) 883-0220 Fax: (440) 526-5745  
www.CentralBrass.com

## Parts Breakdown

#	Part #	Description
1	4015-BAR	Brass Coupling Nut
2	2170-AL	Left Brass Corner Valve Body
3	53-AZ	Zinc Locknut
4	491-U	Fiber Gasket
5	PF-263-B	Brass Seat
6	193-LBN	Nylon Gasket
7	104	Brass Seat Washer Screw
8	901-WNN	Seat Washer
9	458-NL	Left Thread Brass Stem
9	458-NR	Right Thread Brass Stem
10	1038-453	O-Ring
11	458-L16	Left Thread Brass Bonnet
11	458-R16	Right Thread Brass Bonnet
12	510	Zinc Escutcheon
13	523-C	Handle Indexed "C"
13	523-H	Handle Indexed "H"
14	107-F	Brass Phillips Head Screw
15	954-AN	Slip Joint Washer
16	22	Brass Washer
17	2171-A	Brass Tee
18	1038-IN	O-Ring
19	194	Steel Cotter Pin
20	2126-A	Zinc Rocker Arm
21	511	Zinc Spout
22	192-CA	Brass Pull Rod
23	94-E	Brass Knob
24	30-L	Male Aerator
25	2170-AR	Right Brass Corner Valve Body
26	PF-192-DB	Steel Pullrod
27	113-P	Steel Screw
28	2119	Zinc Clevis
29	195-CT	Stainless Steel Clip
30	SU-195-EBST	Chrome Plated Brass Lever Rod
31	192-NBB	Brass Nut
32	409-PT	Celcon Packing
33	707-T	Brass Tailpiece -17 Guage
34	2148-T1109	Brass Pop-Up Tee Body
35	2058-ST1109	Zinc Locknut
36	51-D1109	Steel Washer
37	994-1109	Rubber Washer
38	2056-SPT1109	Brass Flange
39	G-2115-TP	Stopper & Guide